



Product Overview

The AX-ZV range of two and three port Zone Valves for use in standard applications. The valves have been designed to operate as on/off regulators in closed water circuits in central heating, hot water and climate control installations. They can be either 230 or 24 Vac operation.

Features

- Actuator with spring return
- Normally open and Normally closed options
- Two and three port options
- 230Vac and 24Vac options

Product Specifications

Power Supply:		24Vac @50Hz +/- 10%
		230Vac @50Hz +/-10%
Operation:	AX-ZV-2	2 port valve
	AX-ZV-3	3 port valve
Max Consumption:		6W
Response Time:	Opening	< 12 sec
	Closing	< 5 sec
Static Pressure Limit:	non-removable	10 bar
	removable	40 bar
Maximum Differential Pressure:		
	DN15 (1/2")	1.4 bar
	DN20 (3/4")	0.7 bar
	DN25 (1")	0.6 bar
Media Temperature:		5 to 88 deg C
Ambient Temp. Range:		0 to + 50°C
Cable:		60 cm
Materials:	Valve body	Stamped brass (EN 12165)
	seal	Ethylene propylene
	"O" rings	EPDM (3 off)
Conformity:		CE marked
Country of Origin:		Spain

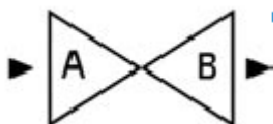
Order Codes

AX-ZV-2-15-230	2 Port 15mm Zone Valve 230Vac
AX-ZV-2-22-230	2 Port 22mm Zone Valve 230Vac
AX-ZV-2-28-230	2 Port 28mm Zone Valve 230Vac
AX-ZV-3-15-230	3 Port 15mm Zone Valve 230Vac
AX-ZV-3-22-230	3 Port 22mm Zone Valve 230Vac
AX-ZV-3-28-230	3 Port 28mm Zone Valve 230Vac
AX-ZV-2-15-24	2 Port 15mm Zone Valve 24Vac
AX-ZV-2-22-24	2 Port 22mm Zone Valve 24Vac
AX-ZV-2-28-24	2 Port 28mm Zone Valve 24Vac
AX-ZV-3-15-24	3 Port 15mm Zone Valve 24Vac
AX-ZV-3-22-24	3 Port 22mm Zone Valve 24Vac
AX-ZV-3-28-24	3 Port 28mm Zone Valve 24Vac

Description

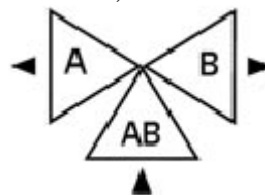
2 Port Valves:

The two port valves are direct flow models, with the circulation direction from A to B, and normally closed in A (powered down). When power is applied to the motor, the valve opens and the microswitch closes (if there is one).



3 Port Valves:

The three port valves are of the diverter type with an inlet through AB and outlets through A and B with way A normally closed (powered down). When power is applied to the motor, way A opens, B closes and the microswitch closes (if there is one).



Microswitch:

The end of stroke signal microswitch behaves like a switch that is activated when the valve is powered up, thereby enabling the activation of any device to be controlled by the microswitch . e.g starting up a circulation pump

NOTE:

In the event of a power failure, the valve automatically returns to the closed position at A. in this case, a cam enables the valve to be activated manually, as well as for the filling, bleeding or emptying of the system.

Installation

Hydraulic:

Always mount the valve with the motor in the upright vertical position, not up side down, to prevent any possible condensation in the connection pipes getting inside the motor

Before installing the valve, check that the pipes are clean, paying particular attention to any welding residue, cuttings or other waste.

Respect the flow direction indicated.

Electrical:

without microswitch

Blue	-	Motor
Brown	-	Motor
Yellow/green		Earth

with microswitch

Blue	-	Motor
Brown	-	Motor
Grey	-	Normally Closed
Orange	-	Normally open
Yellow/green		Earth

Every effort has been taken in the production of this data sheet to ensure it's accuracy. Axio can not, however, accept responsibility for any damage, expense, injury, loss or consequential loss resulting from any errors or omissions. Axio has a policy of continuous improvement and reserves the right to change this specification without notice.

Commissioning and Operation:

Before filling the system, the manual control must be moved to the manual position (MAN). After filling, and during the normal operation of the valve, move the control position to the automatic position (AUTO).

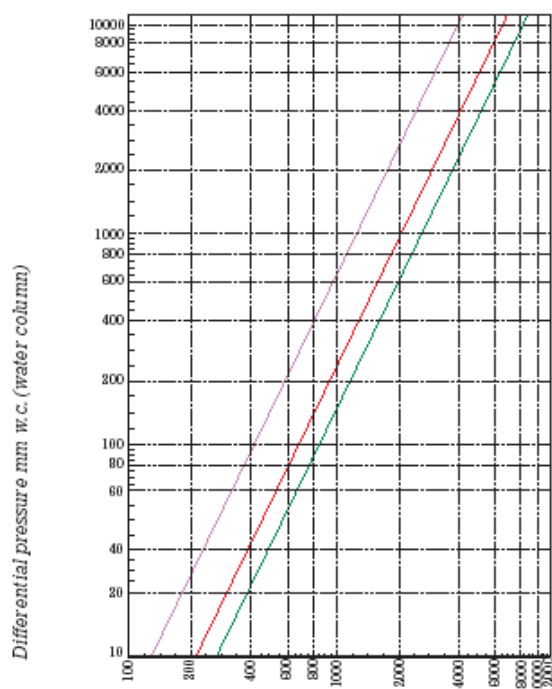
If there is a power failure, and also when filling, bleeding or emptying the installation, the valve can operate in the manual position (MAN) with the following result

2 way Valve: the valves remain open

3 way valve: the flow entering from AB is diverted through both A and B.

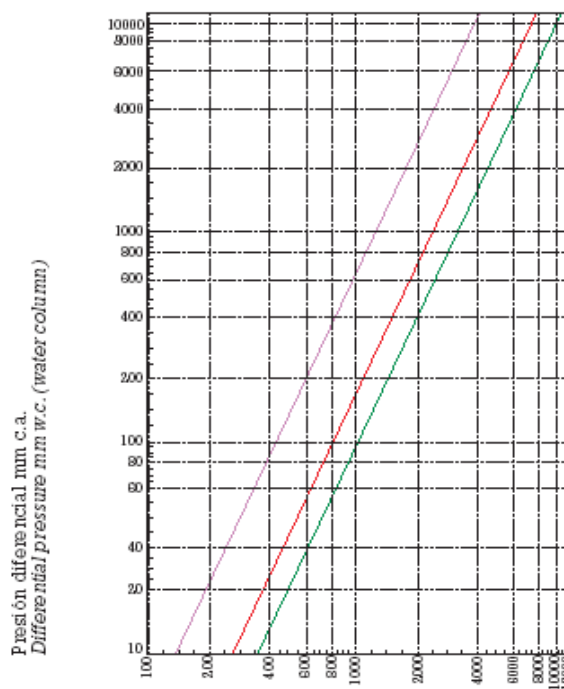
Hydraulic Specification:

Non Removable Model



Flow in L/hr

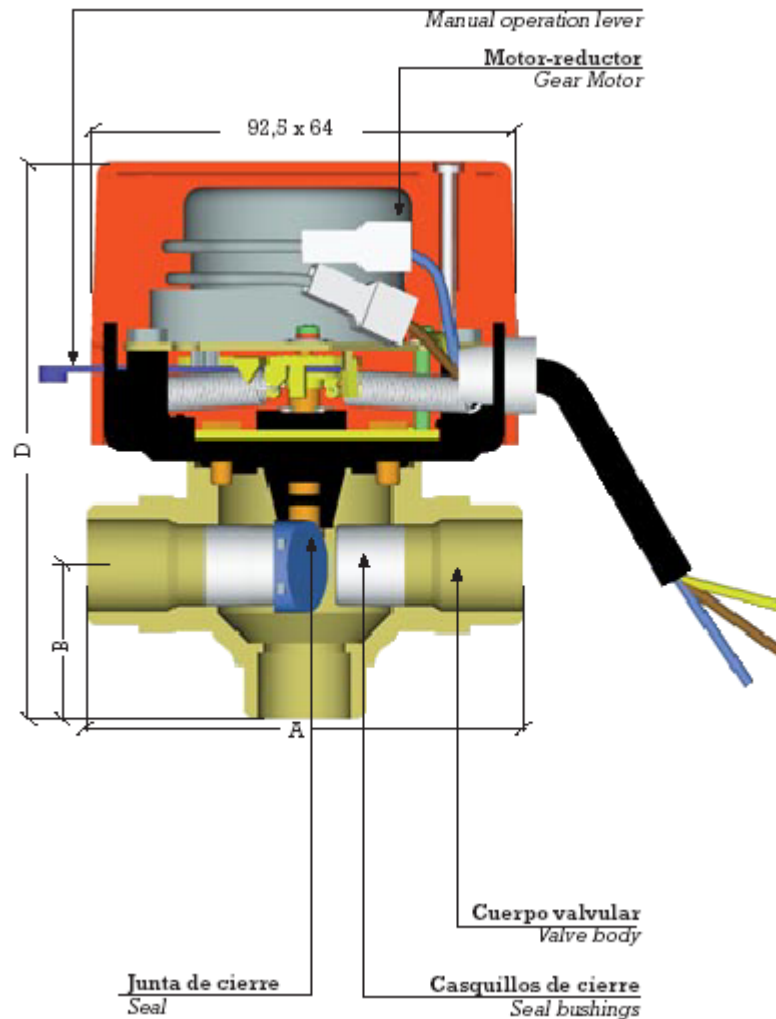
Removable Model



Flow in L/hr

- Purple (first line) 2 port 1/2" and 3 port 1/2"
- Red (second line) 2 port 3/4" and 3 port 3/4" and 2 port 1"
- Green (third line) 3 port 1"

Dimensions:



Dimensions

CODE	Length Valve Body mm A	Height Centre A & B to AB B	Overall Height mm D
AX-VZ-2-15	94.5	21	108
AX-VZ-2-22	94.5	21	108
AX-VZ-2-28	94.5	21	108
AX-VZ-3-15	94.5	33.5	120.5
AX-VZ-3-22	94.5	33.5	120.5
AX-VZ-3-28	94.5	33.5	120.5