



Product overview

The Axio AX-VMUX multiplexes four 0-10V analogue signals onto two analogue lines. These being an analogue output line and an analogue selection line. This doubles the number of analogue inputs available. The selection line can be setup as an input or output. Additional units can be added by cascading the selection lines. The AX-VMUX is supplied in a DIN rail and features high quality rising clamp terminals for ease of connection.

Features

- Four analogue inputs using two lines
- Eight analogue inputs using three lines (Two units)
- Can connect directly to AX-VDEMUX
- 24Vac/dc powered
- DIN rail carrier (TS35 DIN rail)
- High quality rising clamp terminals

Product specifications

Multiplexer Inputs	Four 0-10 volt inputs, 1mA maximum
Select Input	1-4 volts stepped input, 1mA maximum
Multiplexed Output	0-10 volt output, 5mA maximum
Select Output	1-4 volt stepped output, 5mA maximum
Supply Voltage	24Vac or dc ($\pm 15\%$)
Supply Current	50mA dc / 125mA ac maximum
Terminals	Rising clamp for 0-2.5mm ² cable
Ambient Temperature Range	0°C to 50°C
Dimensions	57(W) x 82(H) x 43(D) (Maximum)
Weight	65gms
Country of Origin	United Kingdom

Order codes

AX-VMUX Voltage Multiplexer

Order Online at:

www.annicom.com

Email orders and enquiries to:

Sales@annicom.com

Installation

The AX-VMUX should be installed by a suitably qualified technician in conjunction with any guidelines for the equipment it is to be connected to and any local regulations. Field wiring should be installed to satisfy the requirements set out by the manufacturer of the equipment that the module is being connected to.

Description and connections

SELECT OUT mode (Jumper A fitted)

In this mode SELECT OUT will continuously switch through 1, 2, 3 and 4 volts. The switching rate is set by jumper C, D, E or F (Only fit 1 jumper, see table below). With 1 volt on SELECT OUT the voltage on MUX OUT will equal INPUT 1. With 2, 3 or 4 volts on SELECT OUT the relevant INPUT 2, 3 or 4 will be output on MUX OUT. All the inputs have equal priority. The SELECT IN is not used in this mode.

Rate (Seconds)	2	4	6	8
Jumper	C	D	E	F

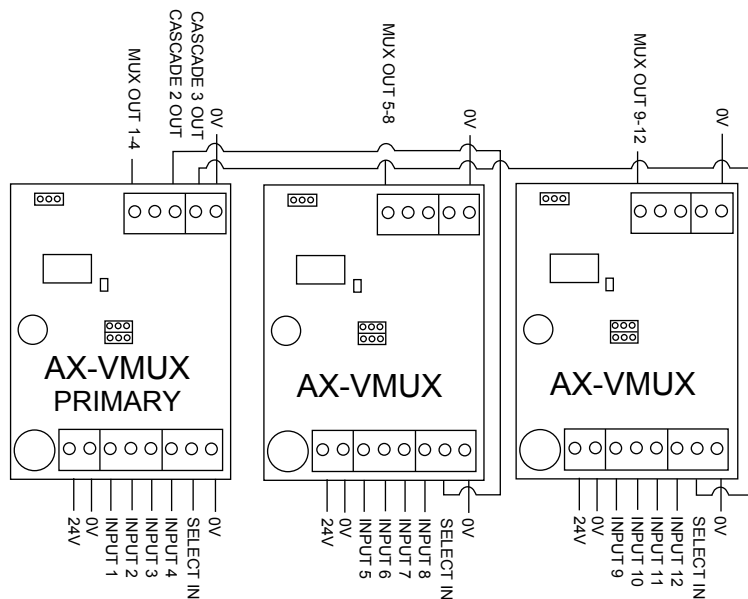
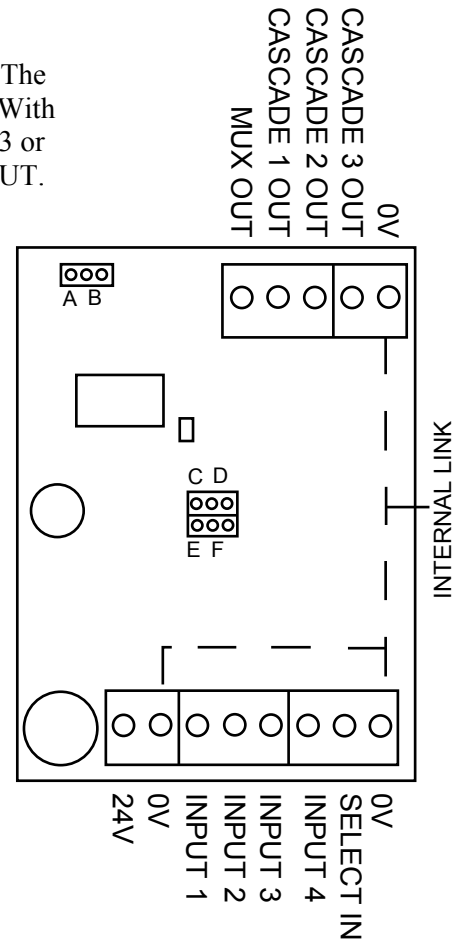
SELECT IN mode (Jumper B fitted)

In this mode SELECT IN should be set to 1, 2, 3 or 4 volts. With 1 volt set on SELECT IN the voltage on INPUT 1 will be output on MUX OUT. The AX-VMUX will take 1 second to confirm the voltage on SELECT IN and then update the output at 1 second intervals until SELECT IN is changed. When 2, 3 or 4 volts are set on SELECT IN relevant INPUT 2, 3 or 4 input voltage will be output on MUX OUT in line with the above timings. Using this mode it is possible to select the inputs in any order or continuously monitor one input and occasionally check the others. The SELECT OUT is not used in this mode.

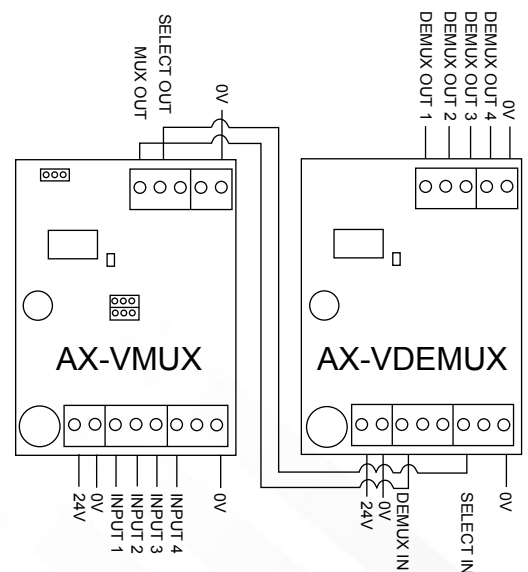
Cascading AX-VMUX units

Multiple AX-VMUX units can be connected together. The primary AX-VMUX can be set up for either SELECT OUT or SELECT IN mode as described above. The CASCADE 2 OUT and CASCADE 3 OUT outputs mimic either SELECT OUT or SELECT IN depending on the mode. These are connected to the SELECT IN on the additional AX-VMUX's multiplexing 4 more analogue inputs onto each additional analogue line used.

Direct connection to AX-VDEMUX



The AX-VMUX can be directly connected to a AX-VDEMUX to send four analogue signals over two analogue lines. The VMUX should be set to SELECT OUT mode.



Every effort has been taken in the production of this data sheet to ensure accuracy. Axio do not accept responsibility for any damage, expense, injury, loss or consequential loss resulting from any errors or omissions. Axio has a policy of continuous improvement and reserves the right to change this specification without notice.