



### Product Overview

The AX-VF range of two, three and four port Fan coil valves and actuators are available in sizes from 10 to 20mm. The valves are used in conjunction with either the AXT thermal drive or the AXS or AXM motorised drive for unit valves for the control of heating or cooling zones, air secondary-treatment appliances and fan convectors. All the valves are equal percentage and operate at a nominal pressure of PN16 and an operating temperature up to 120 degC.

### Features

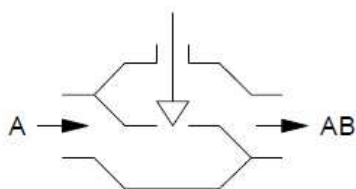
- Nominal Pressure PN 16
- Equal Percentage
- Valve stroke 4mm
- Two, three and four port versions
- Thermal, 2/3 point and modulating actuators options
- Easy Actuator Installation

### Product Specifications

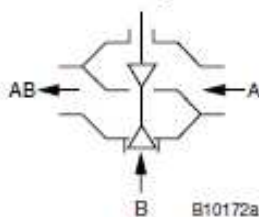
		<b>Valve</b>
<b>No of Ports:</b>	VUL	2
	BUL	3,4
<b>Operating Temperature:</b>		2 to 120degC
<b>Nominal Pressure:</b>		PN16
<b>Maximum Differential Pressure:</b>		0.2Bar
<b>Characteristic:</b>		Equal Percentage
<b>Materials:</b>	10mm	Nickel plated cast brass
	15/20mm	Gunmetal
<b>Nominal Stroke:</b>		4mm
<b>Country of Origin:</b>		Switzerland
		<b>Actuator</b>
<b>Power Cable:</b>		Two Core 0.5mm <sup>2</sup> - 1m lead
<b>Protection:</b>		IP42/43
<b>Conformity:</b>		CE Marked
<b>Actuator Types:</b>	Thermal	AXT
	Raise Lower	AXM217F
	Modulating	AXS/AXM217SF
<b>Actuator Torque:</b>	AXT/AXS	115N
	AXM	120N
<b>Country of Origin:</b>		Switzerland

### Order Codes

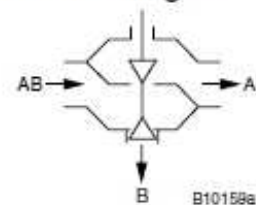
AX-VF-VUL10F340	2 Port Flat Faced Fan Coil Valve 10mm 0.16Kvs
AX-VF-VUL10F330	2 Port Flat Faced Fan Coil Valve 10mm 0.40Kvs
AX-VF-VUL10F320	2 Port Flat Faced Fan Coil Valve 10mm 0.63Kvs
AX-VF-VUL10F310	2 Port Flat Faced Fan Coil Valve 10mm 1.00Kvs
AX-VF-VUL10F300	2 Port Flat Faced Fan Coil Valve 10mm 1.60Kvs
AX-VF-VUL15F310	2 Port Flat Faced Fan Coil Valve 15mm 2.50Kvs
AX-VF-VUL15F300	2 Port Flat Faced Fan Coil Valve 15mm 3.50Kvs
AX-VF-VUL20F300	2 Port Flat Faced Fan Coil Valve 20mm 4.50Kvs
AX-VF-BUL10F330	3 Port Flat Faced Fan Coil Valve 10mm 0.40Kvs
AX-VF-BUL10F320	3 Port Flat Faced Fan Coil Valve 10mm 0.63Kvs
AX-VF-BUL10F310	3 Port Flat Faced Fan Coil Valve 10mm 1.00Kvs
AX-VF-BUL10F300	3 Port Flat Faced Fan Coil Valve 10mm 1.60Kvs
AX-VF-BUL15F310	3 Port Flat Faced Fan Coil Valve 15mm 2.50Kvs
AX-VF-BUL15F300	3 Port Flat Faced Fan Coil Valve 15mm 3.50Kvs
AX-VF-BUL20F300	3 Port Flat Faced Fan Coil Valve 20mm 4.50Kvs
AX-VF-BUL10F430	4 Port Flat Faced Fan Coil Valve 10mm 0.40Kvs
AX-VF-BUL10F420	4 Port Flat Faced Fan Coil Valve 10mm 0.63Kvs
AX-VF-BUL10F410	4 Port Flat Faced Fan Coil Valve 10mm 1.00Kvs
AX-VF-BUL10F400	4 Port Flat Faced Fan Coil Valve 10mm 1.60Kvs
AX-VF-BUL15F410	4 Port Flat Faced Fan Coil Valve 15mm 2.50Kvs
AX-VF-BUL15F400	4 Port Flat Faced Fan Coil Valve 15mm 3.50Kvs
AX-VF-BUL20F400	4 Port Flat Faced Fan Coil Valve 20mm 4.50Kvs
AX-VF-VUL10F630	2 Port Compression Fan Coil Valve 10mm 0.40Kvs
AX-VF-VUL10F620	2 Port Compression Fan Coil Valve 10mm 0.63Kvs
AX-VF-VUL10F610	2 Port Compression Fan Coil Valve 10mm 1.00Kvs
AX-VF-VUL10F600	2 Port Compression Fan Coil Valve 10mm 1.60Kvs
AX-VF-BUL10F630	4 Port Compression Fan Coil Valve 10mm 0.40Kvs
AX-VF-BUL10F620	4 Port Compression Fan Coil Valve 10mm 0.63Kvs
AX-VF-BUL10F610	4 Port Compression Fan Coil Valve 10mm 1.00Kvs
AX-VF-BUL10F600	4 Port Compression Fan Coil Valve 10mm 1.60Kvs
AX-VM-T211F110	Thermal Actuator 115N & 1m Cable white 230Vac
AX-VM-T211F210	Thermal Actuator 110N & 1m Cable white 230Vac
AX-VM-T211F112	Thermal Actuator 115N & 1m Cable white 24Vac
AX-VM-T211F212	Thermal Actuator 110N & 1m Cable white 24Vac
AX-VM-S215SF12	Modulating Actuator 115N & 1m Cable white 24Vac
AX-VM-S215SF22	Modulating Actuator 110N & 1m Cable white 24Vac
AX-VM-M217F200	Raise Lower Actuator 115N & 1m Cable white 230Vac
AX-VM-M217F202	Raise Lower Actuator 115N & 1m Cable white 24Vac
AX-VM-M217SF40	Modulating Actuator 120N & 1m Cable white 24Vac



Used as a mixing valve



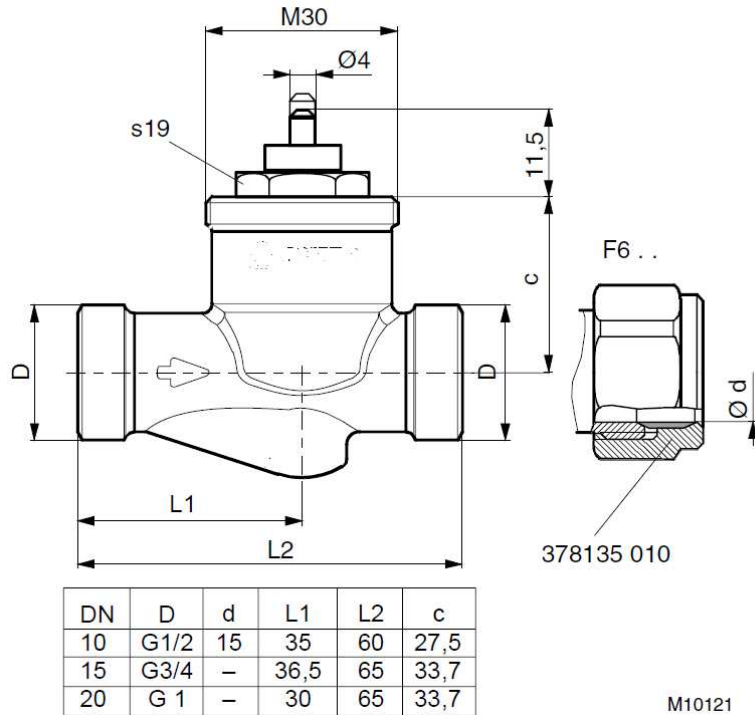
Used as a diverting valve



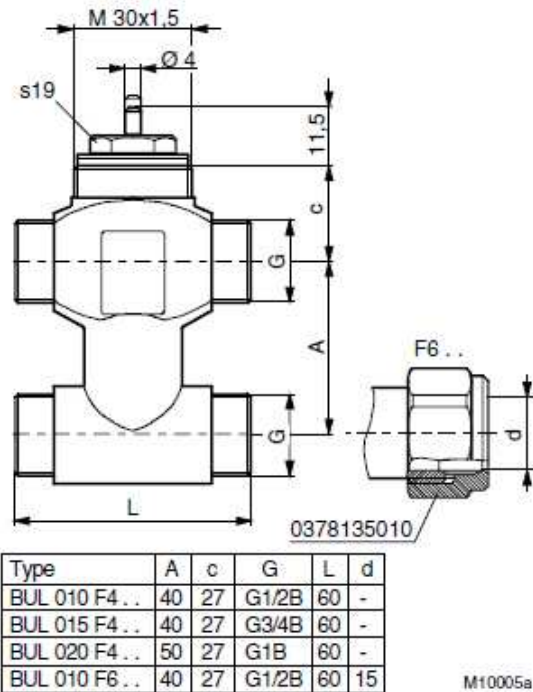
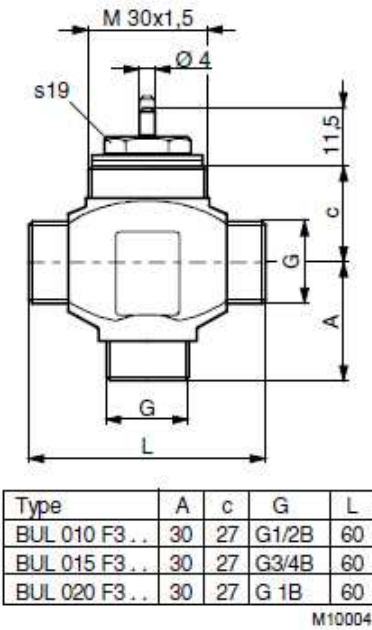
Every effort has been taken in the production of this data sheet to ensure it's accuracy. Axio can not, however, accept responsibility for any damage, expense, injury, loss or consequential loss resulting from any errors or omissions. Axio has a policy of continuous improvement and reserves the right to change this specification without notice.

## Valve Dimensions

Dimension drawing



Dimension drawings



### Actuator Dimensions

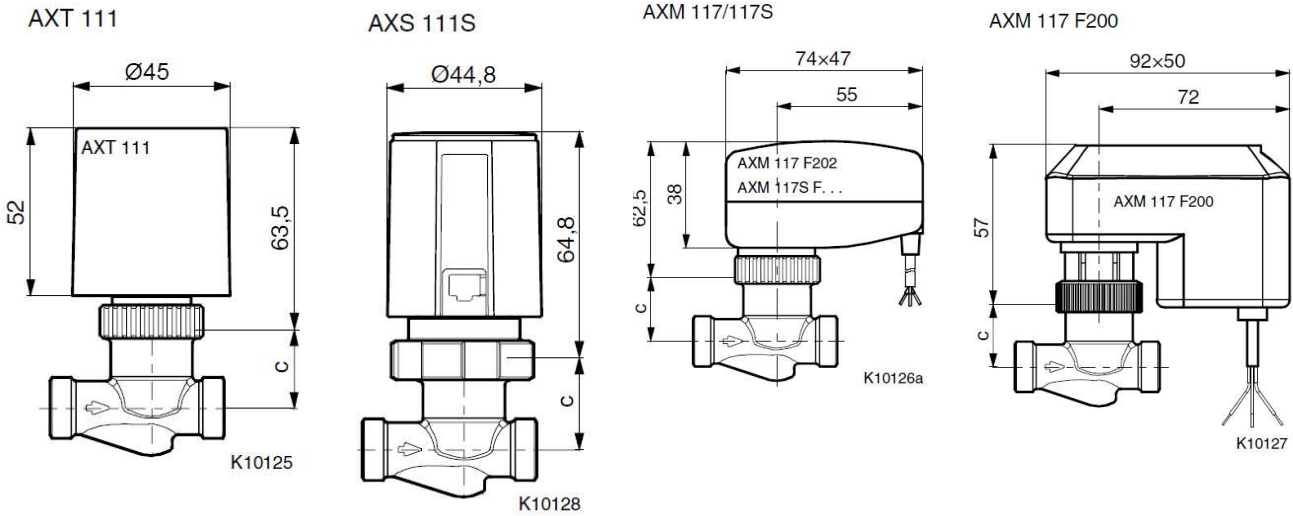
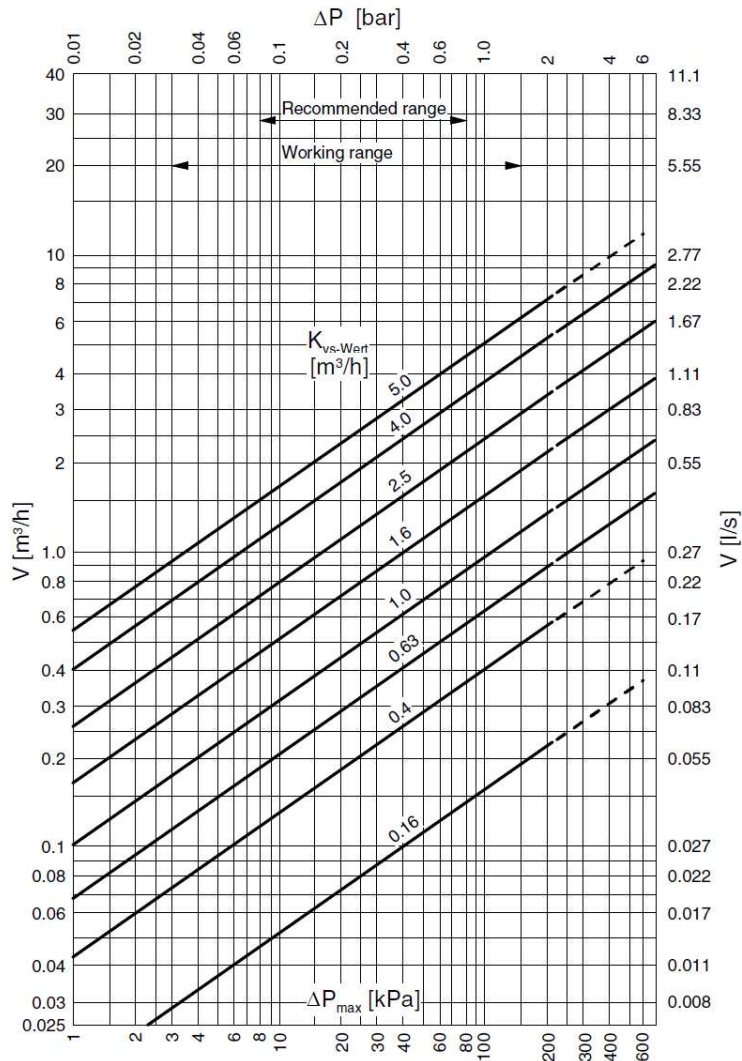
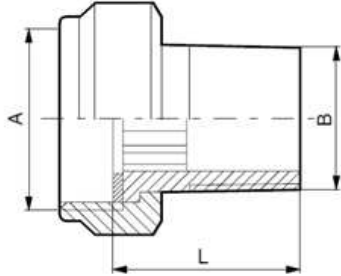


Table of pressure losses for VUL and BUL valves



### Screw-type fitting

378133

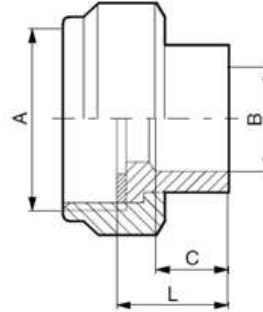


DN	A	B	L
10	G1/2	R3/8	24
15	G3/4	R1/2	27,5
20	G1	R3/4	32,5

M10143

### Soldered fitting

378134

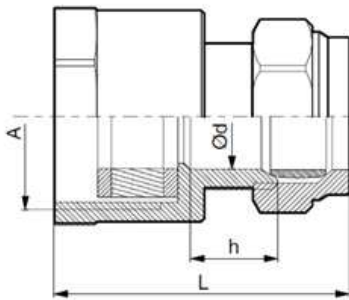


DN	A	B	C	L
10	G1/2	12	8,6	14
15	G3/4	15	10,6	15,5
20	G1	22	15,4	20

M10144

### Compression fitting

0378145



DN	A	L	Ød	h
15	G3/4	39	15,2	12,5
20	G1	41,5	22,2	16

Z10211