

AX-SM175-M

Phase Failure & Supply Monitoring Relays - Compact



Product Overview

The AX-SM175-Mxx. These compact Phase failure and supply monitoring relays can control the correct sequence of three phases & own supply voltage. The units are multi-voltage from 3 x 208 to 480Vac and have one SPDT contact. The unit has LED indication for all faults and for setting change and are designed for DIN rail mounting

Features

- Compact 17.5mm width
- Multi-Voltage 208 to 480Vac
- LED indication of all faults
- Controls correct sequence of 3 phases & own supply

Product Specification

Supply Voltage:	3 phase 3 wire 208 to 480Vac 45/65Hz -12% to + 10%
Power Consumption:	3VA
Setting Accuracy:	+/- 5% of full scale
Relay Output:	1 x C/O SPDT
Switching Contacts	5A @240Vac/30Vdc resistive
Protection:	IP30 enclosure IP20 terminals
Mounting:	DIN
Dimensions:	18 x 90 x 59 mm
Weight:	70 gms
Terminals:	Terminals for 0.5 to 2.5mm ² cable
Ambient Range:	-15 to +60°C 10 to 95% RH non condensing
Approvals:	CE
EMI/EMC:	IEC 61000-3-2 class A, IEC 61000-4-2 level 11, IEC 61000-3-2 level 1V IEC 61000-4-4 level 1V, IEC 61000-4-5 level 111, IEC 61000-4-6 level 111 , IEC 61000-4-11, IEC 68-2-6

PRODUCT SELECTION

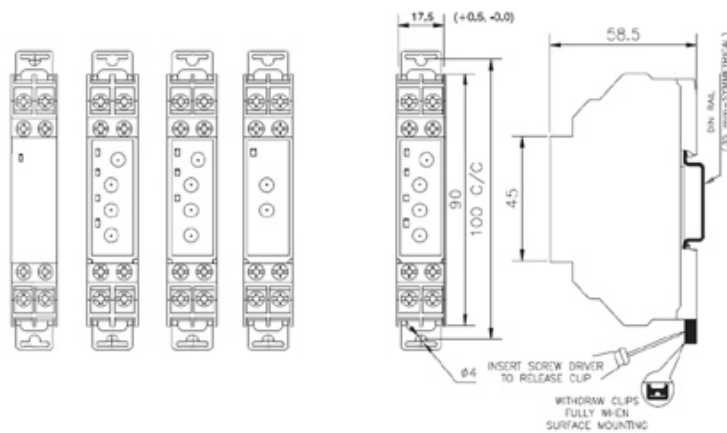
		SM175-MK21D5	SM175-MC21D5	SM175-MA21DN	SM175-MD21DF	SM175-MG21DH
SETTABLE NOMINAL VOLTAGE (Un)		NA	NA	NA	208-220-380-400-415-440-480-Vac	
TRIP LEVELS	UNDER VOLTAGE	NA	NA	NA	-2 to-20% (Un)	-5 to-25% (Un)
	OVER VOLTAGE	NA	NA	NA	+2 to+20% (Un)	+5 to+25% (Un)
	ASYMETRY	NA	30% FIXED	5% to 15%	NA	10% FIXED
TIME DELAY +/- 10% FS	ON DELAY	500ms	500ms	5s (fixed)	5s (fixed)	0.5 to 100s
	OFF DELAY	100ms	100ms	0.5 to 15s	0.5 to 15s	5s (fixed)
LED INDICATIONS RELAY R	HEALTHY	RED - relay ON	RED - relay ON	RED - relay ON	GREEN-power ON	GREEN-power ON
	PHASE REVERSE	RED flashing	RED flashing	RED flashing	GREEN Flashing	GREEN Flashing
	ASYMETRY	NA	RED off	RED off	NA	NA
	OV	NA	NA	NA	RED ON	RED ON
UV	NA	NA	NA	RED ON	RED ON	
AS	NA	NA	NA	NA	RED ON	
ALL LEDs	OFF FLASHING	PHASE FAIL	PHASE FAIL	PHASE FAIL	PHASE FAIL	PHASE FAIL
		NA	NA	NA	Un Pot changed in running conditions	

Order Codes

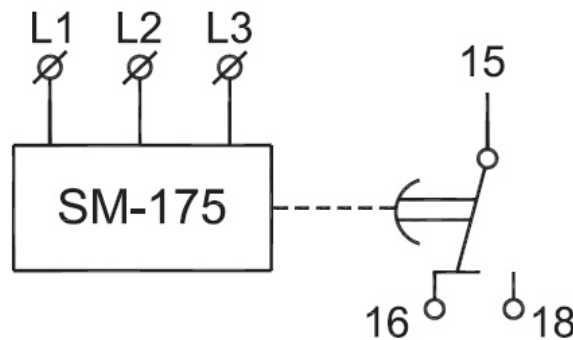
AX-SM175-MK21D5	Phase Sequence 1 x C/O
AX-SM175-MC21D5	Phase Sequence, Asymetry & phase loss monitoring 1 x C/O
AX-SM175-MA21DN	Phase Sequence, Asymetry monitoring 1 x C/O
AX-SM175-MD21DF	Phase Sequence, Under Voltage & Over Voltage monitoring 1 x C/O
AX-SM175-MG21DH	Phase Sequence, Asymetry & Voltage monitoring with fixed OFF delay (5s) 1 x C/O
AX-SM175-MG21DF	Phase Sequence, Asymetry & Voltage monitoring with fixed ON delay (5s) 1 x C/O

Supply Monitoring Series SM 175



MOUNTING DIMENSION (mm)



CONNECTION DIAGRAM



TERMINAL TORQUE & CAPACITY

 Ø3.5.....5.0mm	1.1 Nm(10 lb.in) Terminal screw - M3.5
	2 x 0.2...2.5 mm ² solid wire/single wire ferrule
AWG	1 x 24 to 10