

# AX-RH-RES-230Q

Relative humidity sensor with resistive output



## Product overview

The Axio AX-RH-RES is a wall/ceiling mounted relative humidity space sensor with a resistive output. The unit is 230Vac powered and fits into a standard single gang back-box. The AX-RH-RES features high quality rising clamp terminals for ease of connection.

## Features

- 230Vac powered
- 5%RH accuracy
- Resistance output
- Fits into standard single gang back-box
- Excellent long term stability
- Wall or ceiling mount

## Product specifications

|                           |   |
|---------------------------|---|
| RH accuracy               | ±5%RH @ 25°C  |
| RH resolution             | 1%RH  |
| Output range - RH         | 10 to 90%   |
| Output                    | Resistance (see order codes for options). Maximum current of 1mA. |
| Supply voltage            | 230Vac ±15%   |
| Sensor type               | Planar capacitive polymer   |
| Sensor protection         | PTFE membrane   |
| Terminals                 | Rising clamp for 0.5-2.5mm <sup>2</sup> cable                     |
| Ambient temperature range | 0-50°C  |
| Dimensions                | 85x85x24mm  |
| Country of origin         | United Kingdom  |

## Order codes

AX-RH-RES-230Q      RH SENSOR RESISTIVE QAH11 OUT 230V

# AX-RH-RES-230Q

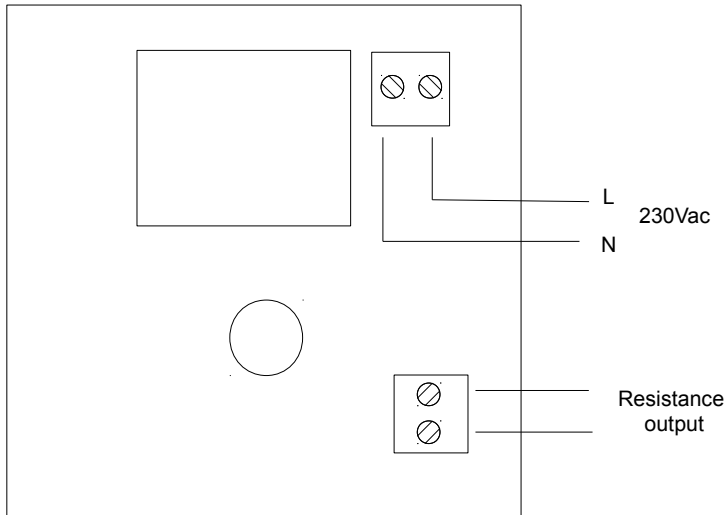
Relative humidity sensor with resistive output



## Installation

The AX-RH-RES should be installed by a suitably qualified technician in conjunction with any guidelines for the equipment it is to be connected to. Field wiring should be installed to satisfy the requirements set out by the manufacturer of the equipment that the module is being connected to. The unit fits in to a standard single gang back-box using the two supplied screws.

## Description and Connections



Note, the maximum current of 1mA on the output terminals must not be exceeded, else damage will occur to the unit.