

# AX-RAS-05D



## Damper Actuator, Spring Return, On/Off, 5Nm

### Product Overview

The AX-RAS-05D Spring Return On/Off damper actuators are designed for dampers in ventilation and air-conditioning systems. These 24Vac/dc & 230Vac operated actuators comes with 2 optional auxiliary SPDT switches.

The 5Nm damper actuator AX-RAS-05D with control of On/Off signals are used to regulate dampers up to approximately 1m<sup>2</sup>.



### Products Features

- Maximum shaft size  $\phi$ 18mm (circular).
- Self Overload Protection.
- Single line control.
- CE Compliant.

### Product Specifications

Torque:	5Nm
Damper size:	1m <sup>2</sup>
Running time:	Running: 70Sec, Spring Reset: 20Sec
Power supply:	AC/DC 24V 50/60Hz OR AC 100-240V 50/60Hz
Nominal voltage range:	24Vac (AC/DC 19.2V-28.8V), 230Vac (AC 85V-265V)
Power consumption:	Runtime: 5W, Holding: 3W
Angle of rotation:	95° Max, (Mechanical Adjustment Option)
Life cycle:	60,000 cycles
Control Signals:	On/Off
Auxiliary switch:	2x SPDT (optional)
Auxiliary switch rating:	3(1.5)Amp, 230V
Sound power level, motor:	45dB
Ingress protection:	IP54
Ambient temperature:	-20°C to 50°C
Storage temperature:	-30°C to 80°C
Humidity Test:	95 % RH (Non Condensing)
Unit Weight:	1.9 Kg
Shaft Length:	>90mm
Compliance:	CE
Country Of Origin:	UK

### Order Codes

Part Number	Description
AX-RAS-05D	Damper Actuator Spring Return, On/Off, 24V, 5Nm
AX-RAS-05DS	Damper Actuator Spring Return, On/Off, 24V, 5Nm, 2 Aux switches

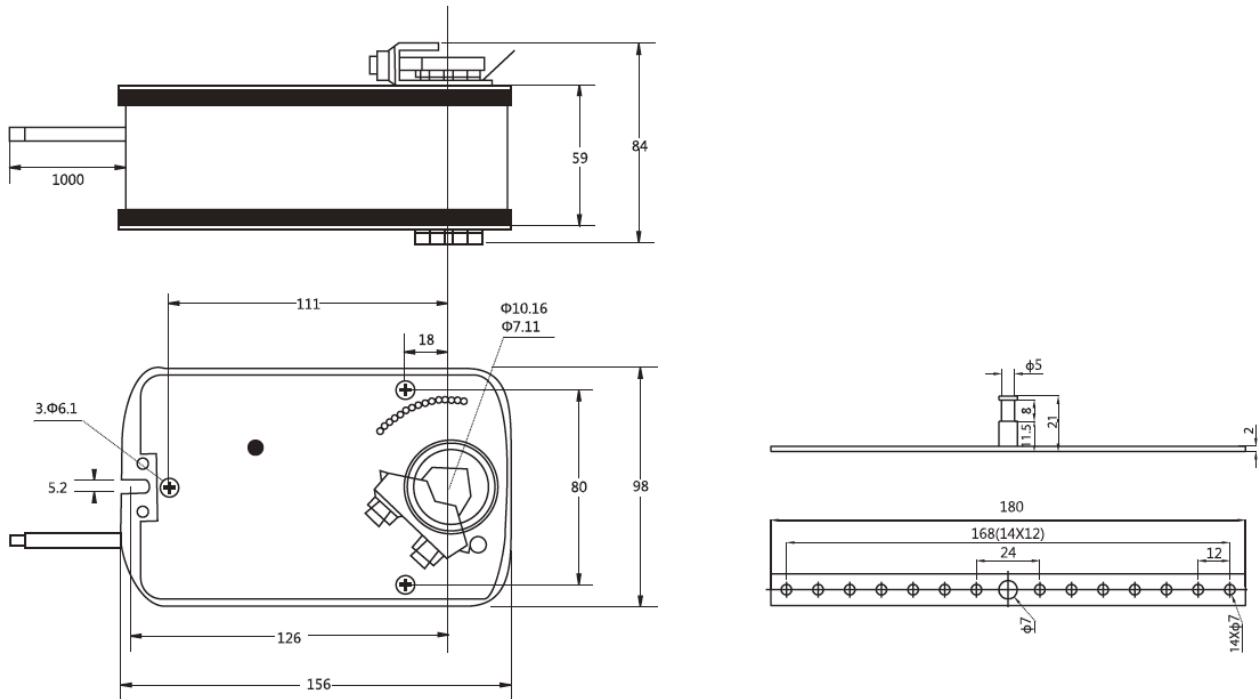
\* Add suffix "-230" for 230Vac versions

# AX-RAS-05D



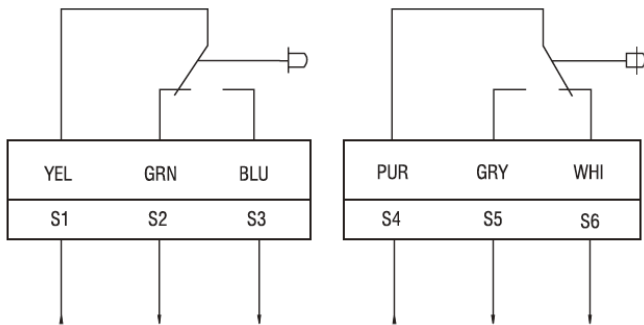
Damper Actuator, Spring Return, On/Off, 5Nm

## Dimensions (mm)

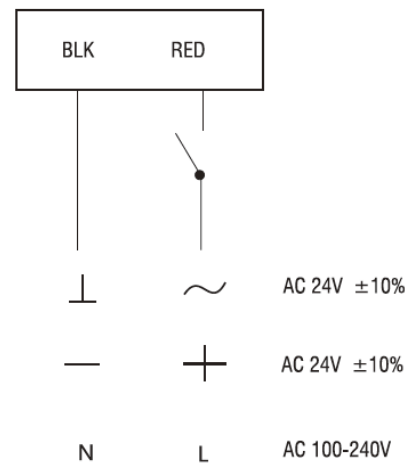


## Auxiliary Switch

## Wiring Diagram



Resistance load 3A, 230V  
Inductive load 1.5A, 230V



## Datasheet Contents

Every effort has been taken in the production of this data sheet to ensure accuracy. Axio do not accept responsibility for any damage, expense, injury, loss or consequential loss resulting from any errors or omissions. Axio has a policy of continuous improvement and reserves the right to change this specification without notice.