

Product Overview

The AX-RA-24D On/Off or 2/3 Point damper actuators are designed for dampers in ventilation and air-conditioning systems. These 24Vac/dc & 230Vac operated actuators comes with two auxiliary SPDT switches.

The 24Nm damper actuator AX-RA-24D with control of On/Off or 2/3 Points are used to regulate dampers up to approximately 4.5m².



Products Features

- Manual control button available in casing.
- Self Overload Protection
- Mechanical limit operator
- CE Complaint

Product Specifications

Torque:	24Nm
Damper size:	4.5m ²
Running time:	160 Sec
Power supply:	AC/DC 24V 50/60Hz OR AC 100-240V 50/60Hz
Nominal voltage range:	24Vac (AC/DC 19.2V-28.8V), 230Vac (AC 85V-265V)
Power consumption:	Runtime: 4.5W, Idle: 0.5W
Angle of rotation:	90° Max (Mechanical Adjustment Option)
Life cycle:	60,000 cycles
Control Signal:	2/3 point or On/Off
Auxiliary Switch:	2 SPDT
Auxiliary switch rating:	3(1.5)Amp, AC230V
Sound power level, motor:	45dB
Ingress protection:	IP54
Ambient temperature:	-20°C to 50°C
Storage temperature:	-30°C to 80°C
Humidity test:	95% RH (Non Condensing)
Weight:	1.1 Kg
Shaft length:	>50mm
Compliance:	CE
Country Of Origin:	UK

Order Codes

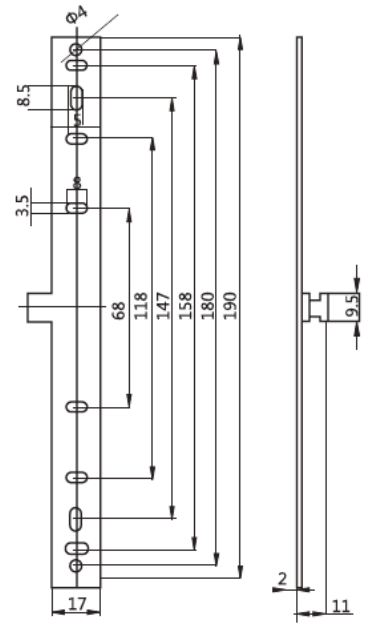
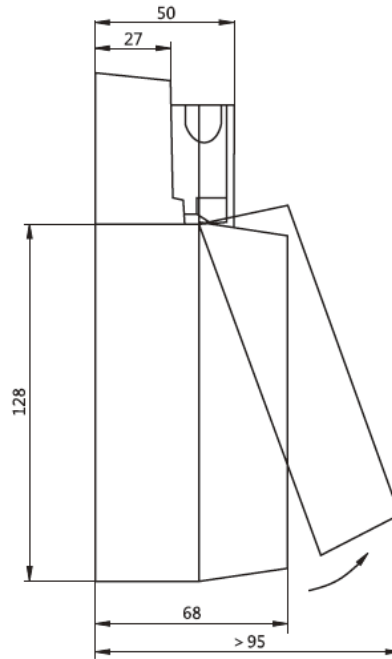
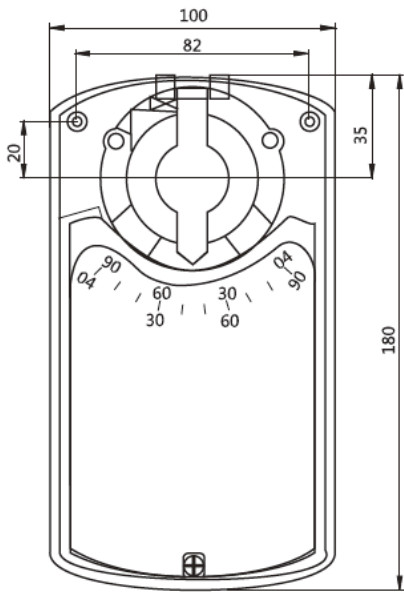
Part Number	Description
AX-RA-24D	Damper Actuator, On/Off or 2/3 Point, 24V, 24Nm
AX-RA-24DS	Damper Actuator, On/Off or 2/3 Point, 24V, 24Nm, 2 Aux switches
	* Add suffix “-230” for 230Vac versions

AX-RA-24D

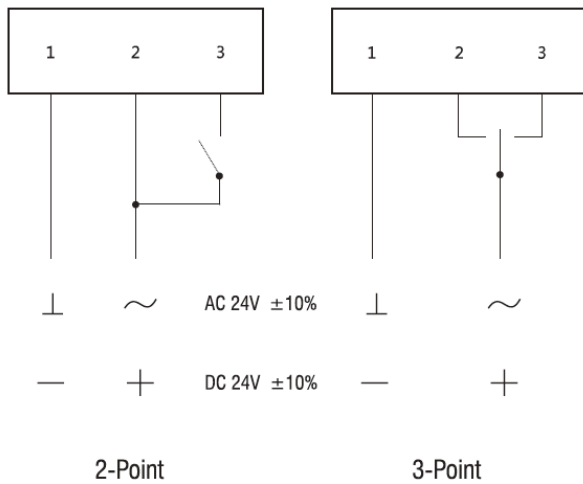


Damper Actuator, On/Off or 2/3 Point, 24Nm

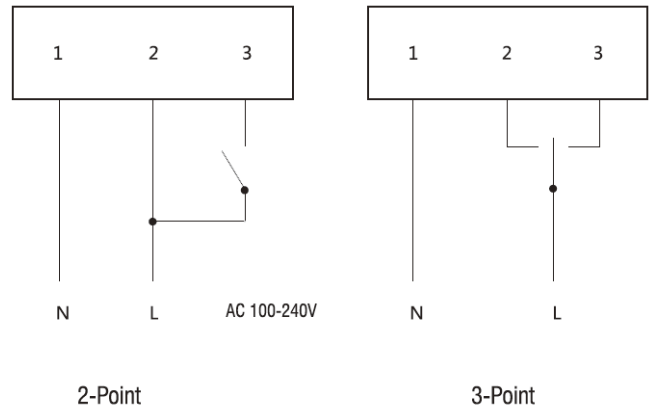
Dimensions (mm)



Wiring Diagram (24V)



Wiring Diagram (230V)

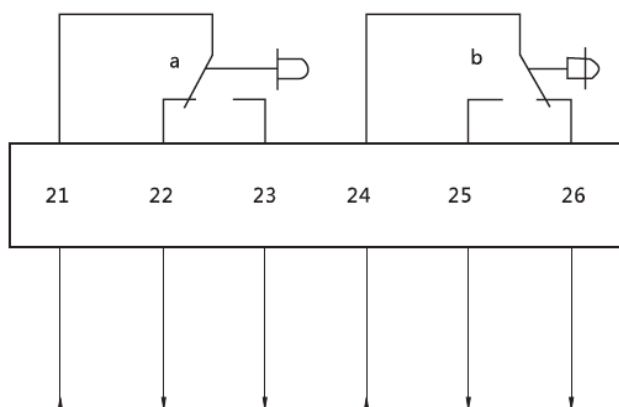


AX-RA-24D

Damper Actuator, On/Off or 2/3 Point, 24Nm



Auxiliary switch



Datasheet Contents

Every effort has been taken in the production of this data sheet to ensure accuracy. Axio do not accept responsibility for any damage, expense, injury, loss or consequential loss resulting from any errors or omissions. Axio has a policy of continuous improvement and reserves the right to change this specification without notice.