

## Damper Actuator, Modulating, 4Nm

### Product Overview

The AX-RA-04 modulating damper actuators are designed for dampers in ventilation and air-conditioning systems. These 24Vac/dc & 230Vac operated actuators come with two auxiliary SPDT switches.

The 4Nm damper actuator AX-RA-04 with selectable control signal of 0(2)-10Vdc or 0(4)-20mA are used to regulate dampers up to approx. 0.8m<sup>2</sup>.



### Products Features

- Manual control button available in casing.
- Self Overload Protection
- Mechanical limit operator
- CE Complaint

### Product Specifications

Torque:	4Nm
Damper size:	0.8m <sup>2</sup>
Running time :	50 Sec
Power supply:	AC/DC 24V 50/60Hz OR AC 100-240V 50/60Hz
Nominal voltage range:	24Vac (AC/DC 19.2V-28.8V), 230Vac (AC 85V-265V)
Power consumption:	Runtime: 3W, Holding: 0.5W
Angle of rotation:	0-95° (Mechanical Adjustment Option)
Control Signals:	0(2)-10V or 0(4)-20mA (Selectable)
Direction Of Rotation:	Manual Regulation
Life cycle:	60,000 cycles
Auxiliary switch:	2x SPDT
Auxiliary switch rating:	3(1.5)Amp, 230V
Sound power level, motor:	45dB
Ingress protection:	IP54
Ambient temperature:	-20°C to 50°C
Ambient temperature:	-30°C to 80°C
Humidity Test:	95 % RH (Non Condensing)
Weight:	0.7 Kg
Shaft Length:	>50mm
Compliance:	CE
Country Of Origin:	UK

### Order Codes

Part Number	Description
AX-RA-04A	Damper Actuator, Modulating 24V, 4Nm, 0(2)-10V/0(4)-20mA
AX-RA-04A-S	Damper Actuator, Modulating 24V, 4Nm, 0(2)-10V/0(4)-20mA, 2 Aux switches

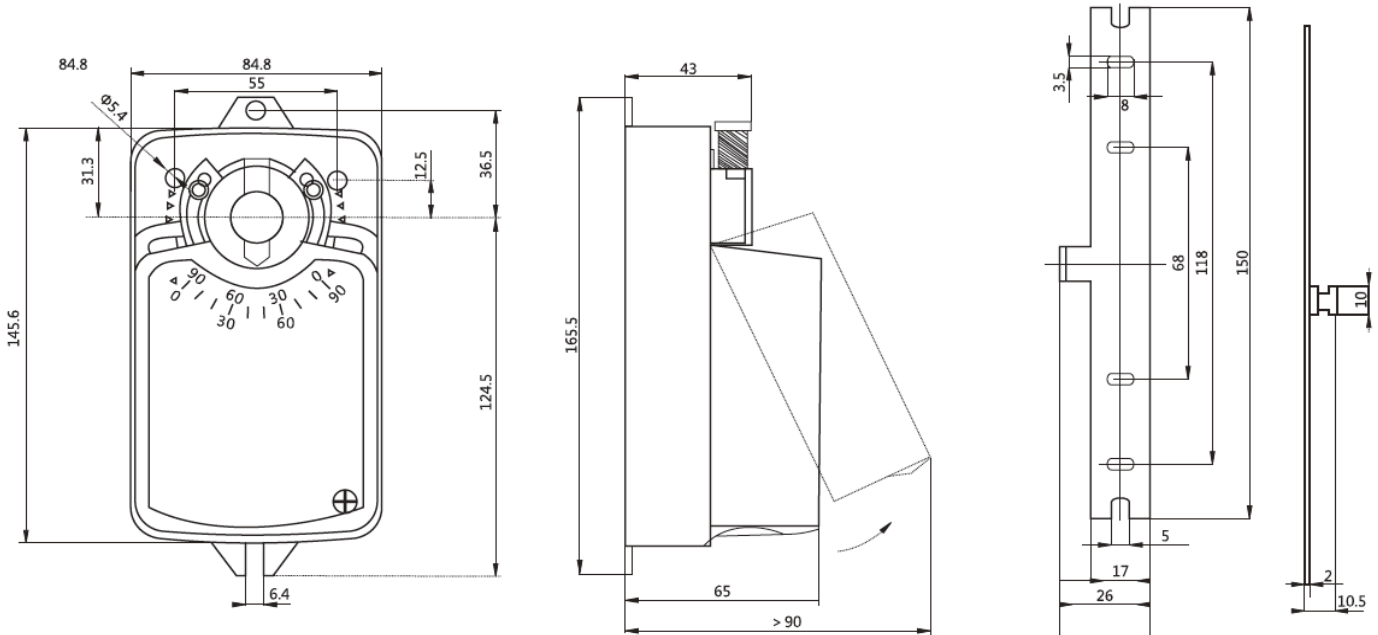
\* Add suffix “-230” for 230Vac versions

# AX-RA-04A

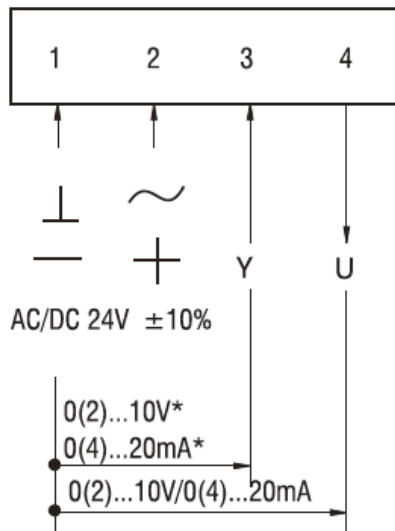


Damper Actuator, Modulating, 4Nm

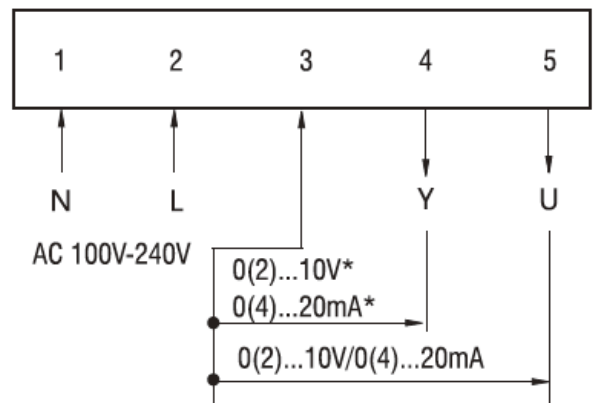
## Dimensions (mm)



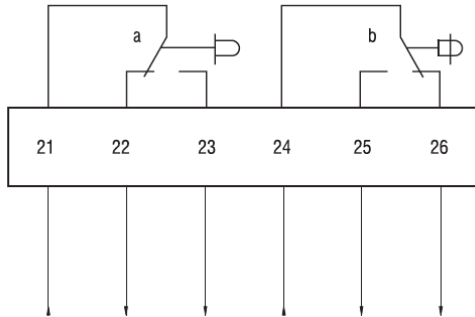
## Wiring Diagram (24V)



## Wiring Diagram (230V)



### Auxiliary Switch



### Control Switch Settings

No 1: Mode of feedback signal	No 2: Control of starting signal	No 3: Mode of control signal	Factory setting
			 <b>Input: 0...10V;</b> <b>Feedback: 0...10V.</b> (No 4: Undefined.)
OFF: voltage signal 0(2)-10V feedback;	OFF: 0-10V or 0-20mA;	OFF: voltage signal 0(2)-10V input;	
ON: current signal 0(4)-20mA feedback.	ON: 2-10V or 4-20mA	ON: current signal 0(4)-20mA input.	

### Datasheet Contents

Every effort has been taken in the production of this data sheet to ensure accuracy. Axio do not accept responsibility for any damage, expense, injury, loss or consequential loss resulting from any errors or omissions. Axio has a policy of continuous improvement and reserves the right to change this specification without notice.