

# AX-PCM2-30i

Dual 30VA Phase-Cut Module (isolated)

# AXIO



## Product overview

The Axio AX-PCM2-30i converts one or two 0-10Vdc control input signals to one or two 0-20V, 50Hz phase-cut outputs, at up to 30VA each output. The control circuit of the module is powered from 24Vac or 24Vdc (with a common connection to the input signal). A separate isolated input connection is provided for the 24Vac phase-cut load supply. The AX-PCM2-30i features full opto-isolation of the control signal from the output circuit, to ensure that no grounding conflicts can occur.

## Features

- Dual 30VA 0-20V Phase-cut outputs
- 0-10V control signal inputs
- Fully opto-isolated
- DIN rail carrier as standard (TS35 DIN rail)
- High quality rising clamp terminals
- Integral heatsink

## Product specifications

Control Supply Input	24Vac/dc ( $\pm 15\%$ ), at 25mA maximum
Control Input Supply	0-10Vdc (47k $\Omega$ load impedance)
Phase-Cut Load Supply Input	24Vac, 50Hz rated to drive the load (30VA maximum x 2)
Phase-Cut Load Signal	0-20V full wave rectified 50Hz phase-cut at 30VA maximum each output
LED Indicator	Provides indication of unit operation (see section on page 2)
Terminals	Rising clamp for 0.5-2.5mm <sup>2</sup> cable
Dimensions	57(W) x 85(H) x 60(D)mm
Weight	70gms
Ambient Temperature Range	0 to 40°C
Country of Origin	United Kingdom

## Order codes

AX-PCM2-30I Dual 30VA Phase-Cut Module (isolated)

Order Online at:

[www.annicom.com](http://www.annicom.com)

Email orders and enquiries to:

[Sales@annicom.com](mailto:Sales@annicom.com)

ANNICOM

© Copyright Annicom 2013. All Rights Reserved

**Annicom Ltd**

Unit 21, Highview, Bordon, Hampshire. GU35 0AX

Tel: +44 (0)1420 487788 Fax: +44 (0)1420 487799

Email: [sales@annicom.com](mailto:sales@annicom.com) Website: [www.annicom.com](http://www.annicom.com)

# AX-PCM2-30i

Dual 30VA Phase-Cut Module (isolated)



## Led Indication

Activity LED

Brightness proportional to control input signal

Flashes when control signal input at 0V

Blinks when output phase is lost

## Installation

The AX-PCM2-30i should be installed by suitably qualified technician in conjunction with any guidelines for the equipment it is to be connected to and any local regulations. Field wiring should be installed to satisfy the requirements set out by the manufacturer of the equipment that the module is being connected to.

There is a heatsink fitted to this module, which can get hot in operation. The AX-PCM2-30i must be mounted so that adequate cooling is provided by free air circulation.

The 24Vac phase-cut load supply must be rated to supply the full phase-cut output load.

## Description and connections

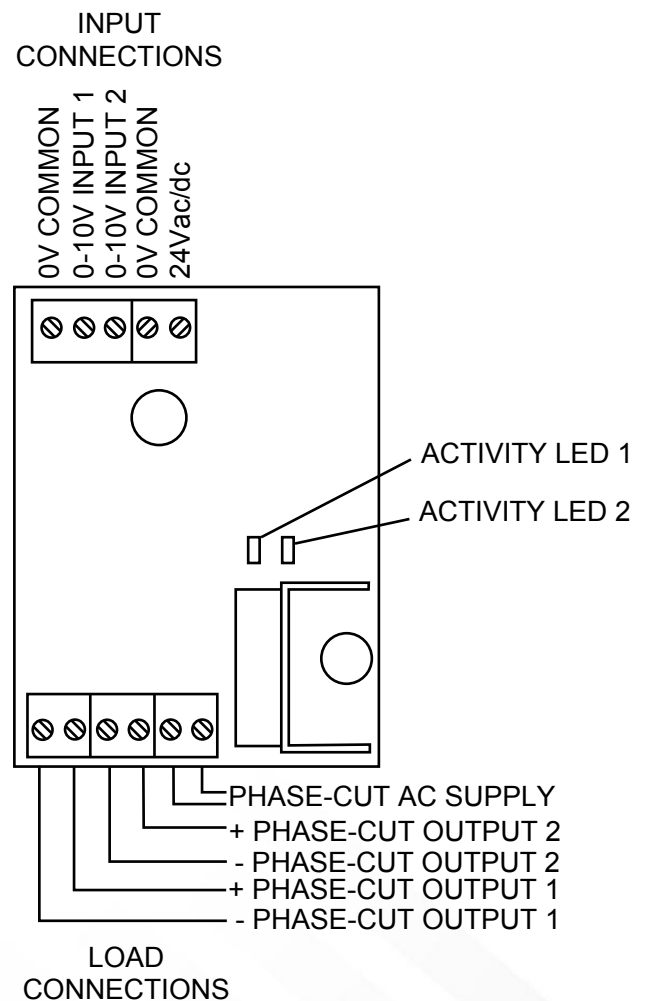
The 'input connections' on the AX-PCM2-30i are fully opto-isolated from the 'load connections'. So, if one of the phase-cut outputs is earthed, then the 0V on the 'input connections' can also be earthed without causing any conflicts (provided the phase-cut supply is floating). (Refer to the wiring detail shown in example 1).

All of the 'load connections' must be isolated from each other, otherwise damage to the unit will occur. For example, if the '- phase-cut output' is earthed, then the two '+ phase-cut output' connections must be floating.

If required, the 'Input Control supply' can be commoned to the 'phase-cut supply'. However, this negates the isolation of the connections, and only one point in the system can be earthed (refer to the wiring detail in example 2).

The module is not protected against short circuits on the output. Care must be taken during wiring, and suitable external fusing should be fitted. All connections should be made with the power disconnected.

3-Wire valves (e.g. Belimo types with their own 24V supply connection) can also be used with this module (refer to the wiring detail shown in example 3).

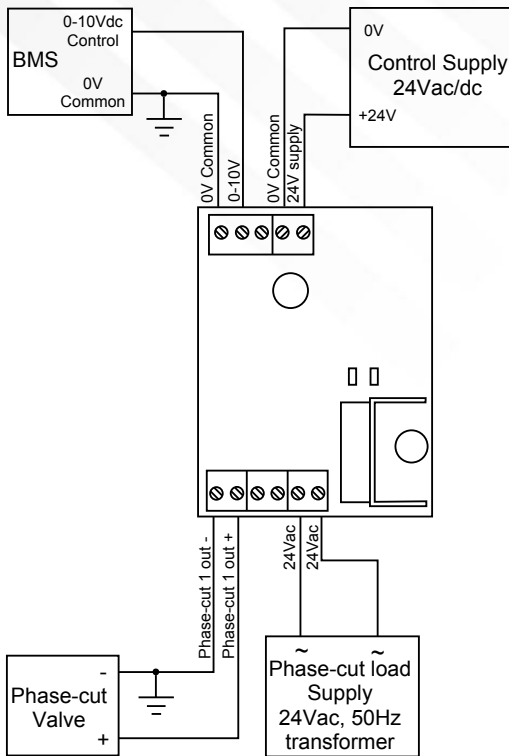


# AX-PCM2-30i

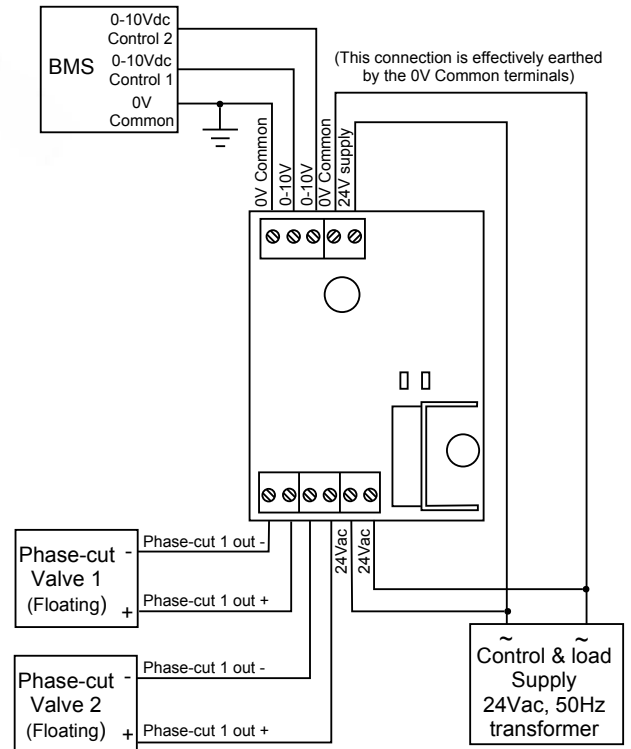
## Dual 30VA Phase-Cut Module (isolated)



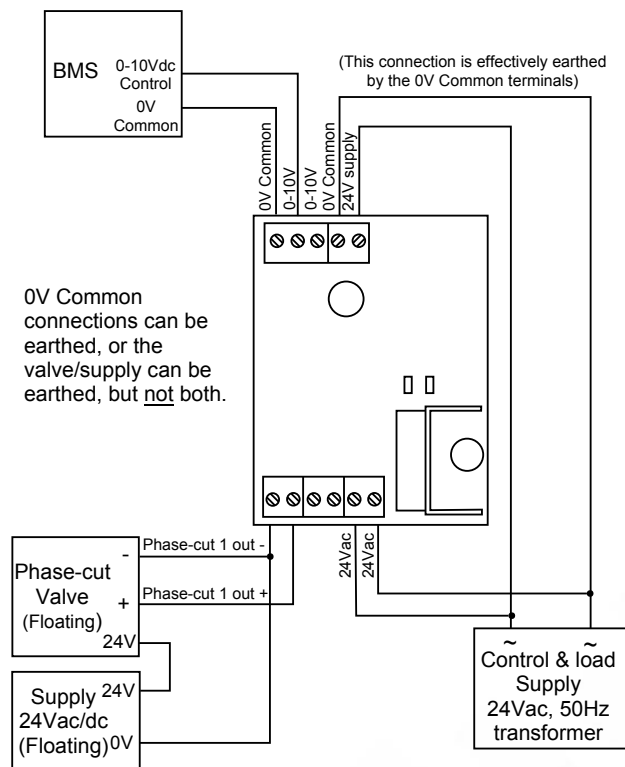
Example 1 - Earthed BMS Connection and earthed load (control supply and load supply must be isolated from each other)



Example 2 - Common Supplies, with earthed BMS connection (note load must not be earthed)



Example 3 - 3-Wire actuator (note that the valve must have its own supply)



0V Common connections can be earthed, or the valve/supply can be earthed, but not both.

Every effort has been taken in the production of this data sheet to ensure accuracy. Axio do not accept responsibility for any damage, expense, injury, loss or consequential loss resulting from any errors or omissions. Axio has a policy of continuous improvement and reserves the right to change this specification without notice.