

### Product Overview

The AX-OC-CMPF infrared sensor detects movements of persons, large animals and vehicles in a detection range of up to 6m with a detection angle of 360° (on free area) and switches on the connected lighting. After a preset time of approx. 10 seconds to 15 minutes, the motion detector switches off again. With the help of a controller, the switch-on sensitivity of this device can be regulated depending on the ambient brightness (in the range between 3 and 2,000 LUX).



### Products Features

- Infrared Sensor
- Easy wiring option
- 230Vac version
- Flush mount for fall ceilings
- 360° Degree coverage
- Works up to 6 meter height

### Product Specifications

Power supply:	220-240V AC 50/60Hz
Power consumption:	max. 1200W with usual lamps max. 300W with LED and energy saving lamps
Power consumption on standby:	0,5W
Switch:	On, off or detector
Detection speed:	0,6-1,5m/s
Detection range:	Max.6m (<24°C)/360°
Ambient brightness:	<3-2.000LUX
Protection:	IP20
Switch-off delay:	min. 10s +/-3s - max. 15min +/-2min
Ambient temperature:	-20° to +40°C
Humidity:	<93%
Dimensions:	Ø75x75mm
Mounting hole:	65-70mm
Housing material:	Minimum 22mm
Country of origin:	Germany

### Product Order Codes

Part Number	Description
AX-OC-CMPF	Flush Ceiling Mount Occupancy PIR Sensor, 230V
AX-OC-CMPF-VF	Flush Ceiling Mount Occupancy PIR Sensor, 230V, Volt Free

### Installation

Before installing please make sure that the circuit is interrupted! For installation, the work on the mains voltage is required. Please remove the associated mains fuse or deactivate the switch fuse! Check by using a voltage tester if the line is de-energized. Make sure that the current circuit will not closed during the installation.

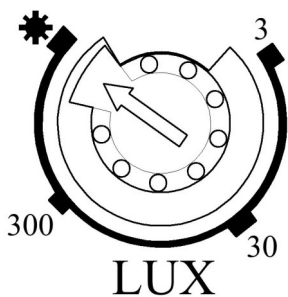
The installation of this product may be done only by a qualified person according the valid regulations for electrical installation.

Before drilling the mounting holes, make sure that there are no gas, electricity or water pipes at the drilling location that could be damaged by this.

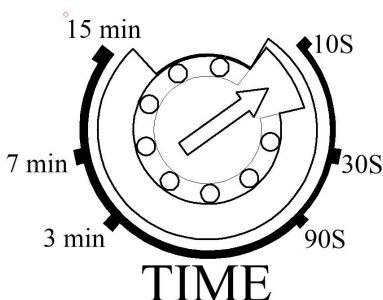
- 1- Please observe the safety instructions and technical data before installing this product.
- 2- Note on installation: L: Live wire (black or brown) N: Neutral conductor (blue or grey).
- 3- This device is only suitable for ceiling mounting.
- 4- Observe a minimum distance of 2 meters when commissioning several motion detectors.
- 5- For optimum range, select the mounting height recommended in the "Technical Data".
- 6- 2 units in a parallel connection.
- 7- Permanent switch-on of a connected device with an additional switch connected in parallel.

### Time & LUX Setting

This setting control can be used to regulate the switch-on sensitivity of this unit depending on the ambient brightness (between 3 and 2.000 LUX).



The duration of the operating time can be set continuously from approx. 10s to 15min. The timer is restarted if a movement from the sensor is detected before the set time has elapsed.



### Functionality Testing

Ensure that the motion detector is not obscured. Ensure that the coverage area is not restricted by items such as through large furniture. To set the detection range and the daylight test, turn the knobs to the positions shown. The motion detector is activated after a warm-up phase of approx. 30s. If no further movement takes place in the sensing area of the sensor, the sensor switches off.

### Maintenance

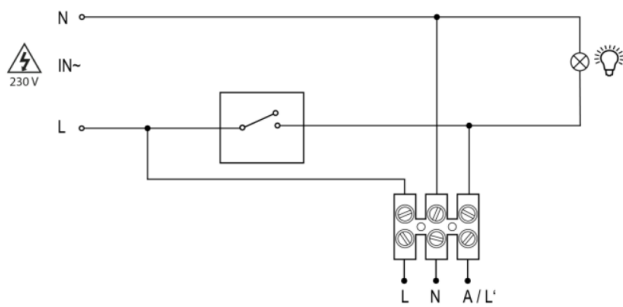
Before start cleaning the product interrupt the current circuit by switching off the circuit breaker or unscrew the fuse! Use a slightly moistened cloth for cleaning. In order not to damage the product, it is essential to avoid water penetrating into the housing! Never clean the device under running water! Do not use solvent containing cleaner for cleaning.

# AX-OC-CMPF

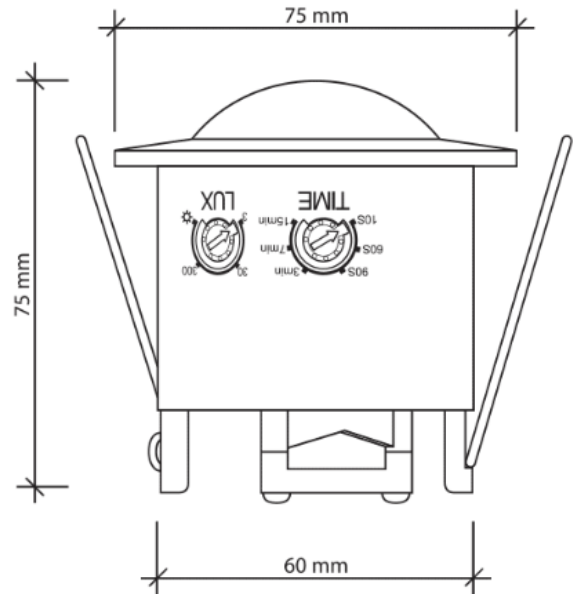
## Flush Ceiling Mount Occupancy PIR Sensor



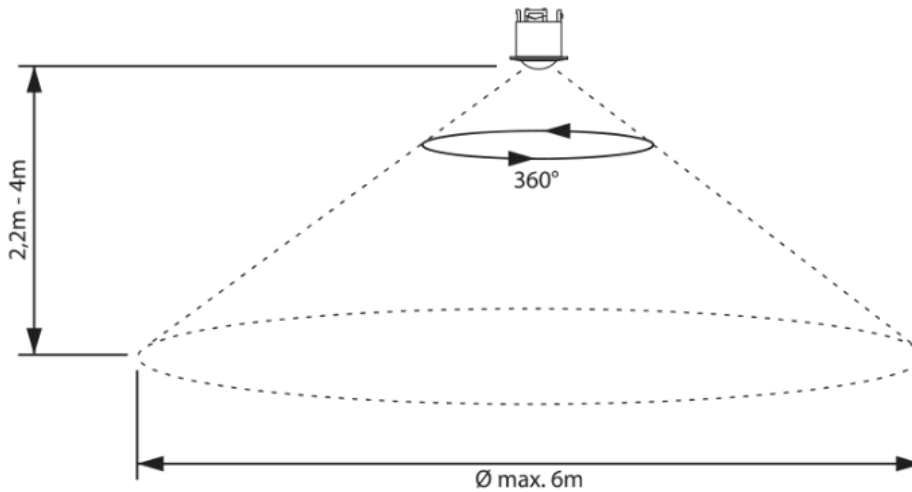
### Connections



### Dimensions



### Detector Pattern



### Datasheets Content

Every effort has been taken in the production of this data sheet to ensure accuracy. Axio do not accept responsibility for any damage, expense, injury, loss or consequential loss resulting from any errors or omissions. Axio has a policy of continuous improvement and reserves the right to change this specification.