

AX-LS-RFS-2-2

Stainless Steel Liquid Level Switches -Top mount



Product Overview

The AX-LS-RFS-2-2 is a very small low cost stainless steel top mount level switch suitable for water level control applications. As the liquid level changes, the float follows the surface level and the reed switch activates. The unit can operate in a wide range of liquids.

Features

- Easy Installation
- N/O or N/C Contact
- Stainless Steel 316
- Pressure up to 10 bar
- 1/8" BSP Thread with nut
- Suitable for a wide range of liquids

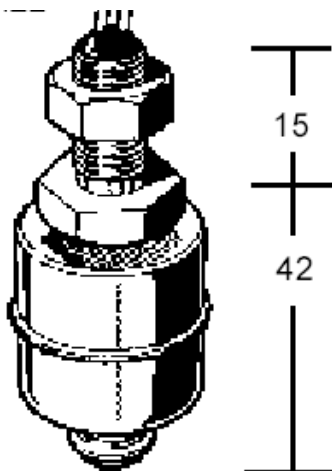
Product Specifications

Fitting:	1/8" BSP
Maximum Voltage:	240Vac
Reed Switch Rating:	50VA
Maximum Current:	0.5A (resistance)
Maximum Pressure:	10bar
Maximum Temperature:	120 Deg C
Materials:	Stainless Steel 316
Specific Gravity:	0.75 SG
Thread Type and Length:	1/8" BSP x 15mm
Float Dimensions:	28 dia x 27mm

Order Codes:

AX-LS-RFS-2-2

Stainless Steel Float Switch - Top Mount



Reversible Float

To change from a N/O to a N/C contact, simply remove the circlip and reverse the float on the stem