

Product Overview

The AX-GSE2-SO2 is a high-performance Sulfur Dioxide Gas Detector designed to provide accurate and reliable monitoring of Sulfur Dioxide gas concentrations. Each unit is supplied pre-calibrated and ready for immediate installation. The device offers jumper-selectable 0–10V and 4–20mA analogue outputs along with Modbus for flexible integration with various control systems with optional LCD and Relay Outputs.

The Electrochemical sensor provides a cost-effective solution for detecting Sulfur Dioxide gas. It is factory-calibrated for Ammonia 0-2000 ppm detection available for both Wall and Duct Mount applications.



Products Features

- ABS Plastic Enclosure, IP65
- 24V DC Powered Model (24V AC & 230V AC Options)
- 0-2000 ppm Detection Ranges
- Display & Non Display Versions
- Available with Analogue, Modbus & Relay Outputs
- Available in Wall and Duct Mount Versions

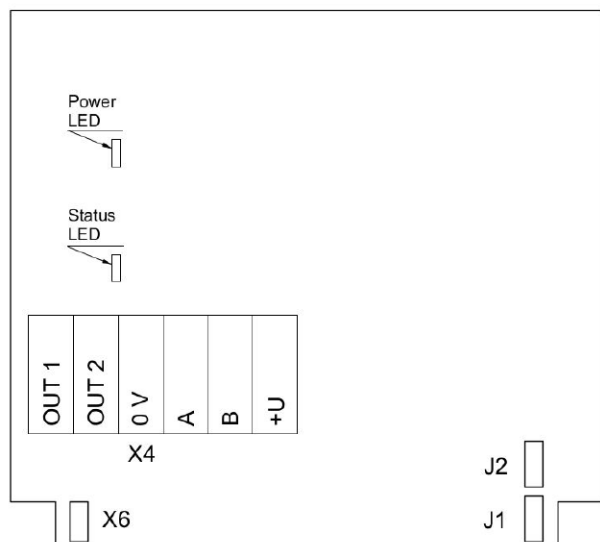
Product Specifications

Power Supply:	12-36V DC / (24V AC or 230 VAC Optional)
Sensor Type:	Electrochemical
Sampling Method:	Diffusion
Detection Range:	0-2000 ppm
Maximum Overload:	10K ppm
Resolution:	1 ppm
Signal Update:	Every 1 Second
Warm-up Time:	≤ 1 Min
Response Time (T90):	< 33 Sec
Sensor Lifetime:	> 2 Years (In an Appropriate Residential or Light Commercial Applications)
Maintenance Interval:	6 Months
Typical Coverage Area:	75 SQM (5Meter Radius)
Output:	4-20mA / 0-10V (User Selectable), 2× SPST Relay Output 250V AC / 30V DC, 5Amp Max (Optional)
Digital Interface:	RS485 Modbus RTU (See User Manual For Modbus Configuration)
Power Consumption:	< 2 VA
Output Scale Width:	Recommended: 20-100% of the range > 10 × resolution in any case
Enclosure Type & Rating:	ABS Plastic (Grey Colour), IP65
Dimensions:	H90 × W145 × D50 mm (Housing) H140 (with cable glands)
Operating Temp:	-30 to 50°C
Operating Humidity:	15-90 %RH (Non-Condensing)
Environmental Requirements:	Air Pressure: 900 -1100 mBar
	Safety: Industrial indoor and outdoor locations
	Exposure Safety: Explosion-safe areas.
	Explosion-safe areas, Non-aggressive atmosphere
EMC Compliance:	CE
COO:	UK

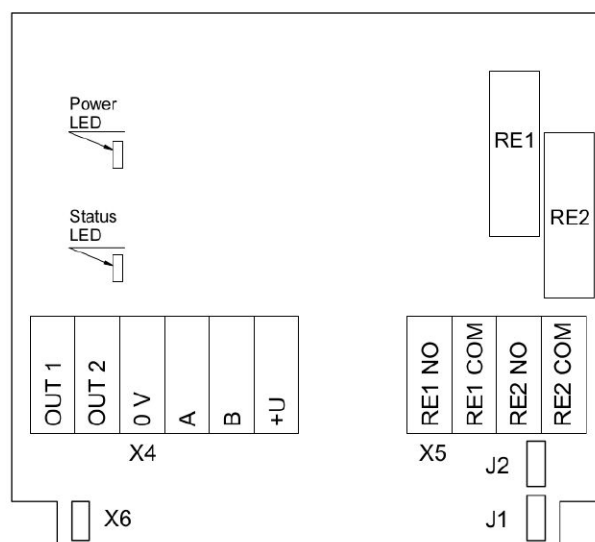
Product Order Codes

AX-GSE2-SO2	Sulfur Dioxide Gas Detector, Wall Mount, Analogue Output + Modbus
AX-GSE2-SO2-L	Sulfur Dioxide Gas Detector, Wall Mount, Analogue Output + Modbus, LCD
AX-GSE2-SO2-Dx	Sulfur Dioxide Gas Detector, Duct Mount, Analogue Output + Modbus
AX-GSE2-SO2-R	Sulfur Dioxide Gas Detector, Wall Mount, Analogue Output + Modbus + 2 Relays
** Add “3” or “10” with duct mount versions for remote probe cable length (i.e. AX-GSE2-SO2-D3)	
** Add “-24” for 24VAC power supply OR “-230” for 230VAC power supply at the end of part number (i.e. AX-GSE2-SO2-230)	

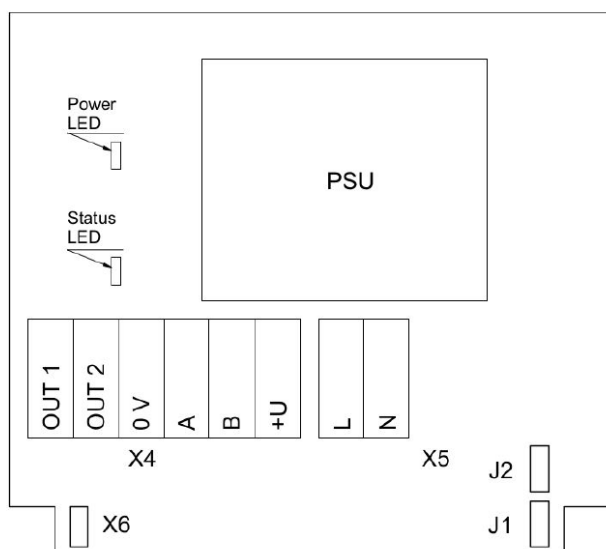
Connection Diagrams:



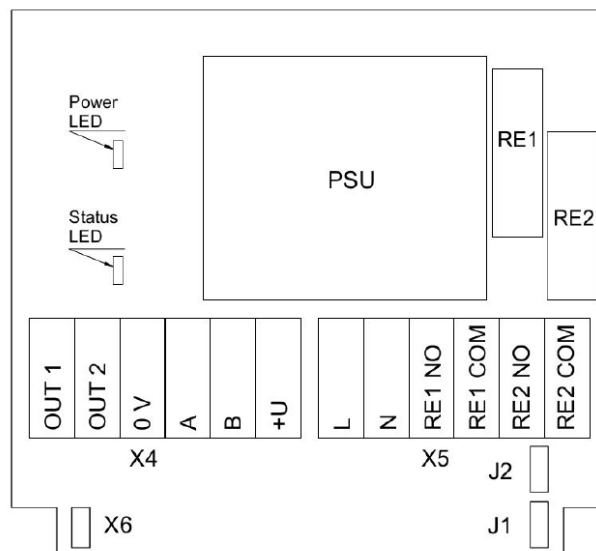
Version without PSU and relays



Version without PSU and with relays



Version with PSU and without relays



Version with PSU and relays

Jumpers	
J1	OUT1 type (open: 4-20 mA; closed 0-10 V)
J2	OUT2 type (open: 4-20 mA; closed 0-10 V)
X6	Reset Modbus network parameters to default
X4 Terminals	
OUT1	OUT1 4-20 mA / 0-10 V output
OUT2	OUT2 4-20 mA / 0-10 V output
0V	0 V / 24 VAC Neutral (optional)
A	RS485 A / Data +
B	RS485 B / Data -
+U	+24 VDC / 24 VAC Phase (optional)
X5 Terminals (optional)	
L90	90...265 VAC Phase
N90	90...265 VAC Neutral
RE1	NO Relay 1, normally open terminal
RE1	COM Relay 1, common terminal
RE2	NO Relay 2, normally open terminal
RE2	COM Relay 2, common terminal

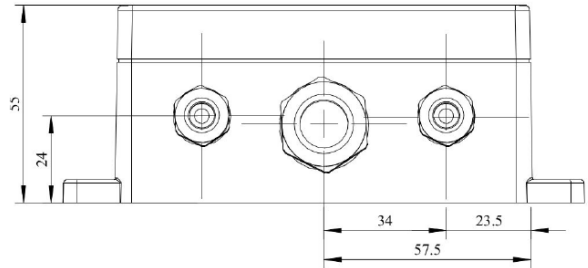
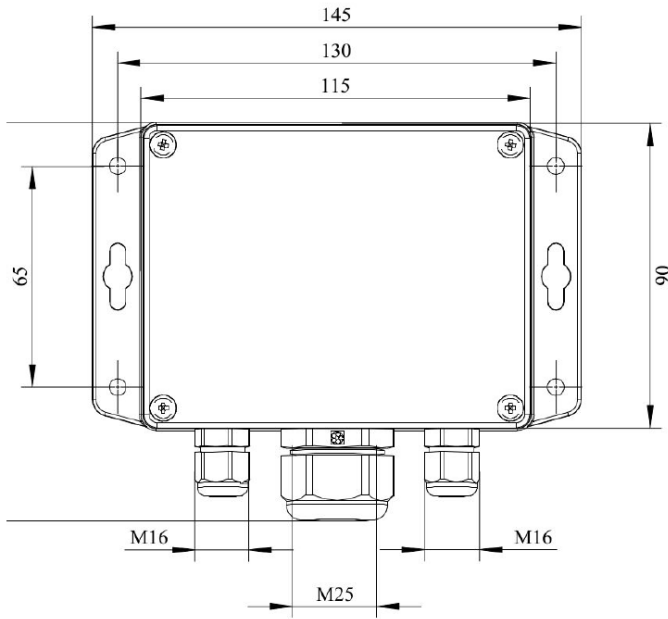
Relay Outputs	
Output Relays	2x SPST Relays (Closing Contact), 250V AC / 30V DC, 5 Amp Max
Alarm Signaling	
Visual	Red and green LEDs
Acoustic	Buzzer 85 dB
Default alarm set-points	Determined by user within 5-95% of the range
Remote Sensor Probe	
Protection IP65, shielded cable default cable length 3.0 m	

AX-GSE2-SO2

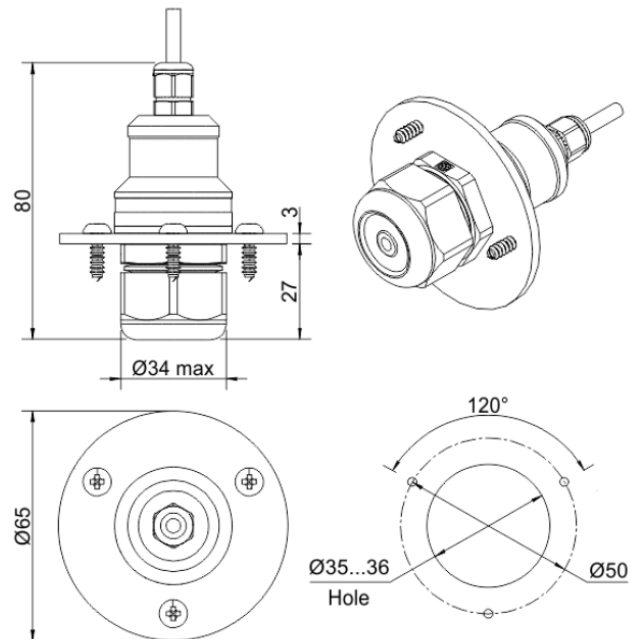


Sulfur Dioxide SO₂ Detector (Analogue, Modbus, LCD & Relay O/P)

Dimensions:



Duct Version (Remote Sensor) with Probe & Accessories Dimension:



Datasheet Content:

Every effort has been taken in the production of this data sheet to ensure accuracy. Annicom do not accept responsibility for any damage, expense, injury, loss or consequential loss resulting from any errors or omissions. Annicom has a policy of continuous improvement and reserves the right to change this specification without notice.