

Nitrogen Dioxide (NO₂) Gas Detector (Analogue Output)

Product Overview

The AX-GSE1-NO2 is a high-performance Nitrogen Dioxide Gas Detector designed to provide accurate and reliable monitoring of Nitrogen Dioxide gas concentrations. Each unit is supplied pre-calibrated and ready for immediate installation. The device offers jumper-selectable 0–10V and 4–20mA analogue outputs for flexible integration with various control systems.

The Electromechanical sensor provides a cost-effective solution for detecting Nitrogen Dioxide gas. It is factory-calibrated 0-20 PPM detection and features jumper-selectable 0–10V and 4–20mA analogue outputs.



Products Features

- Wall/Space Mount Unit
- 24V DC powered model
- 0-20 PPM Detection Range
- Non Display Version
- Comes with PTFE dust filter
- IP65 Version

Product Specifications

Power Supply:	24V DC
Sensor Type:	Electromechanical
Sampling Method:	Diffusion
Detection Range:	0-20 PPM
Maximum Overload:	100 PPM
Response Time (T90):	<60 Seconds
Typical Coverage Area:	75 SQM (5Meter Radius)
Sensor Protection:	Microporous PTFE Dust Filter
Warm-up Time:	≤ 1 Min
Output:	4-20mA / 0-10V (User Selectable)
Power Consumption:	< 1 W
Sensor Lifetime:	> 2 Years In Fresh Air (In an Appropriate Residential or Light Commercial Applications)
Sensitivity Drift:	< 20% / Years (In an Appropriate Residential or Light Commercial Applications)
Enclosure Type & Rating:	ABS Plastic (Grey Colour), IP65
Dimensions:	H82 × W94 × D35 mm
Operating Temp:	-30 to 50°C
Operating Humidity:	15-95 %RH (Non-Condensing)
Environmental Requirements:	Air Pressure: 800 -1200 mBar
	Safety: Explosion Safe Indoor Environment
	Exposure Safety: Avoid Exposure to Corrosive Gases
EMC Compliance:	EN 61000-6-3, EN 61326-1 (EMC Emissions)
	EN 61000-6-1, EN 61000-6-2 (EMC Immunity)
COO:	UK

Product Order Codes

AX-GSE1-NO2	Nitrogen Dioxide Gas Detector, Wall Mount, Analogue Output (4-20mA & 0-10V)
-------------	---

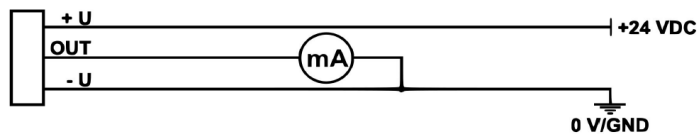
AX-GSE1-NO2



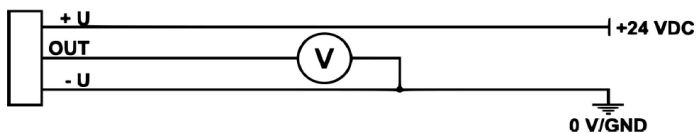
Nitrogen Dioxide (NO₂) Gas Detector (Analogue Output)

Wiring:

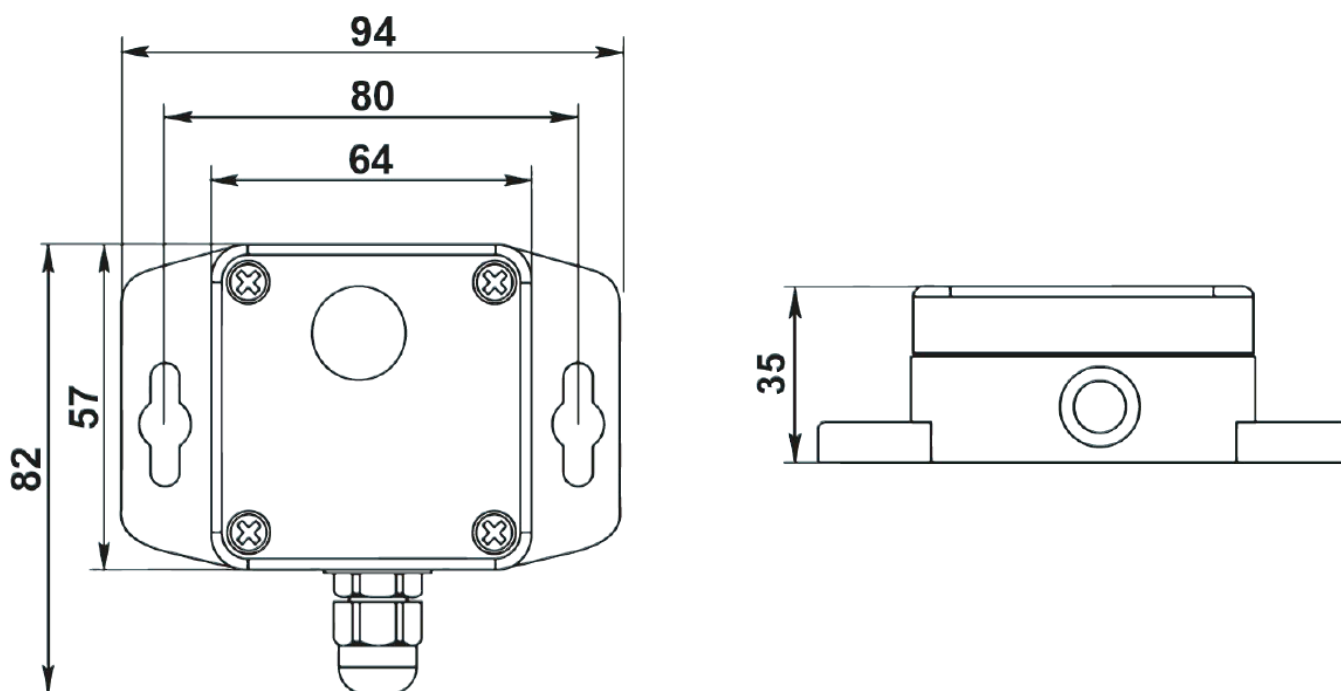
3-wire 4-20 mA output



3-wire 0-10 V output



Dimensions:



Datasheet Content:

Every effort has been taken in the production of this data sheet to ensure accuracy. Annicom do not accept responsibility for any damage, expense, injury, loss or consequential loss resulting from any errors or omissions. Annicom has a policy of continuous improvement and reserves the right to change this specification without notice.