

Product Overview

The AX-GSE1-LEL is a high-performance Combustible Gas Detector designed to provide accurate and reliable monitoring of Combustible Gases like Hydrogen, Methane & LPG concentrations. Each unit is supplied pre-calibrated and ready for immediate installation. The device offers jumper-selectable 0–10V and 4–20mA analogue outputs for flexible integration with various control systems.

The catalytic pellistor sensor provides a cost-effective solution for detecting Combustible gases. It is factory-calibrated for 0-100% LEL detection and features jumper-selectable 0–10V and 4–20mA analogue outputs.



Products Features

- Wall/Space Mount Unit
- 24V DC powered model
- 0-100% LEL Detection Range
- Non Display Version
- Comes with PTFE dust filter
- IP65 Version

Product Specifications

Power Supply:	24V DC ± 20%
Sensor Type:	Pellistor (Catalytic Bead)
Sampling Method:	Diffusion
Detection Range:	0-100% LEL
Response Time:	≤ 10 s
Coverage Area:	75 SQM (5Meter Radius)
Sensor protection:	Microporous PTFE Dust Filter
Output:	4-20mA / 0-10V (User Selectable)
Power Consumption:	< 1 W
Sensor Lifetime:	> 3 Years (Depending On Usage)
Sensitivity Drift:	< ± 5% / Year (Depending On Usage)
Enclosure Type & Rating:	ABS Plastic (Grey Colour), IP65
Dimensions:	H82 × W94 × D35 mm
Operating Temp:	-20 to 60°C
Operating Humidity:	0-95 %RH (Non-Condensing)
Environmental Requirements:	Air Pressure: 900 -1100 mBar
	Safety: Explosion Safe Indoor Environment
	Exposure Safety: Avoid Exposure to Corrosive Gases
Standards:	EN 61000-6-3, EN 61326-1 (EMC Emissions)
	EN 61000-6-1, EN 61000-6-2 (EMC Immunity)
COO:	EU

Product Order Codes

AX-GSE1-LEL	Combustible Gases Detector, Wall Mount, Analogue Output (4-20mA & 0-10V)
-------------	--

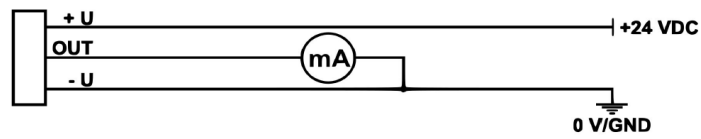
AX-GSE1-LEL



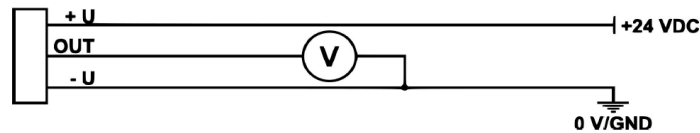
Combustible Gases Detector (H₂, CH₄ & LPG) Analogue Output

Wiring:

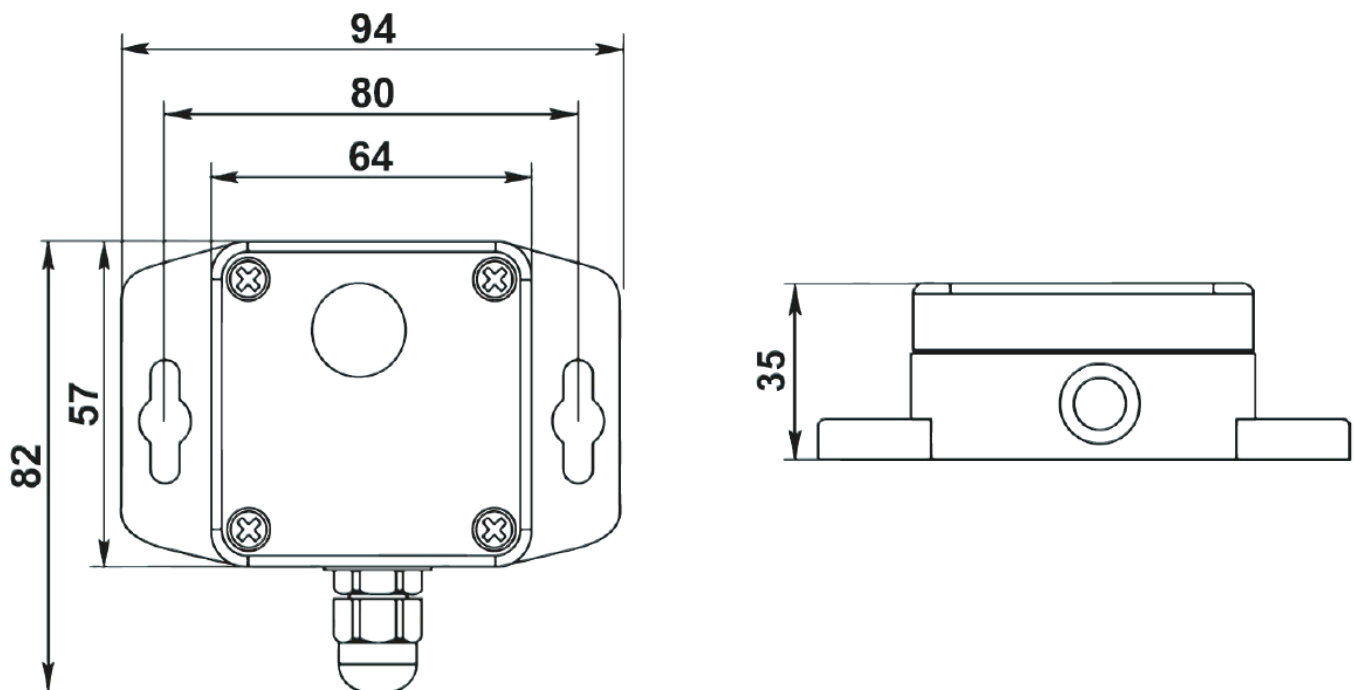
3-wire 4-20 mA output



3-wire 0-10 V output



Dimensions:



Datasheet Content:

Every effort has been taken in the production of this data sheet to ensure accuracy. Annicom do not accept responsibility for any damage, expense, injury, loss or consequential loss resulting from any errors or omissions. Annicom has a policy of continuous improvement and reserves the right to change this specification without notice.