

AX-GSE1-CG

Combustible Gases Detector (H₂, CH₄,C₃H₈,C₄H₁₀) Analogue Output

AXIO

Product Overview

The AX-GSE1-CG is a high-performance Combustible Gas Detector designed to provide accurate and reliable monitoring of Combustible Gases like Hydrogen, Propane, Methane & Butane concentrations. Each unit is supplied pre-calibrated and ready for immediate installation. The device offers jumper-selectable 0–10V and 4–20mA analogue outputs for flexible integration with various control systems.

The catalytic pellistor sensor provides a cost-effective solution for detecting Combustible Gases. It is factory-calibrated for 0-100% LEL detection and features jumper-selectable 0–10V and 4–20mA analogue outputs.



Products Features

- Wall/Space Mount Unit
- 24V DC powered model
- 0-100% LEL Detection Range
- Non Display Version
- Comes with PTFE dust filter
- IP65 Version

Product Specifications

Power Supply:	24V DC \pm 20%
Sensor Type:	Pellistor (Catalytic Bead)
Sampling Method:	Diffusion
Detectable Gases:	Hydrogen (H ₂), Propane (C ₃ H ₈), Methane (CH ₄), Butane (C ₄ H ₁₀)
Detection Range:	0-100% LEL
Response Time (T90):	\leq 10 s
Typical Coverage Area:	75 SQM (5Meter Radius)
Sensor Protection:	Microporous PTFE Dust Filter
Output:	4-20mA / 0-10V (User Selectable)
Power Consumption:	< 1 W
Sensor Lifetime:	> 3 Years (In an Appropriate Residential or Light Commercial application)
Sensitivity Drift:	< \pm 5% /Year (In an Appropriate Residential or Light Commercial application)
Enclosure Type & Rating:	ABS Plastic (Grey Colour), IP65
Dimensions:	H82 \times W94 \times D35 mm
Operating Temp:	-20 to 60°C
Operating Humidity:	0-95 %RH (Non-Condensing)
Environmental Requirements:	Air Pressure: 900 -1100 mBar
	Safety: Explosion Safe Indoor Environment
	Exposure Safety: Avoid Exposure to Corrosive Gases
EMC Compliance:	EN 61000-6-3, EN 61326-1 (EMC Emissions)
	EN 61000-6-1, EN 61000-6-2 (EMC Immunity)
COO:	UK

Product Order Codes

AX-GSE1-CG	Combustible Gases Detector, Wall Mount, Analogue Output (4-20mA & 0-10V)
------------	--

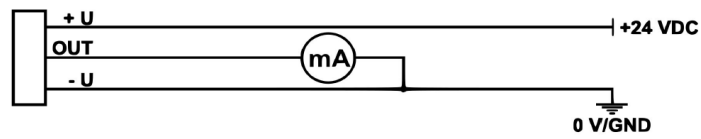
AX-GSE1-CG

Combustible Gases Detector (H₂, CH₄, C₃H₈, C₄H₁₀)
Analogue Output

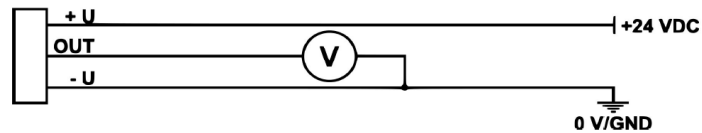


Wiring:

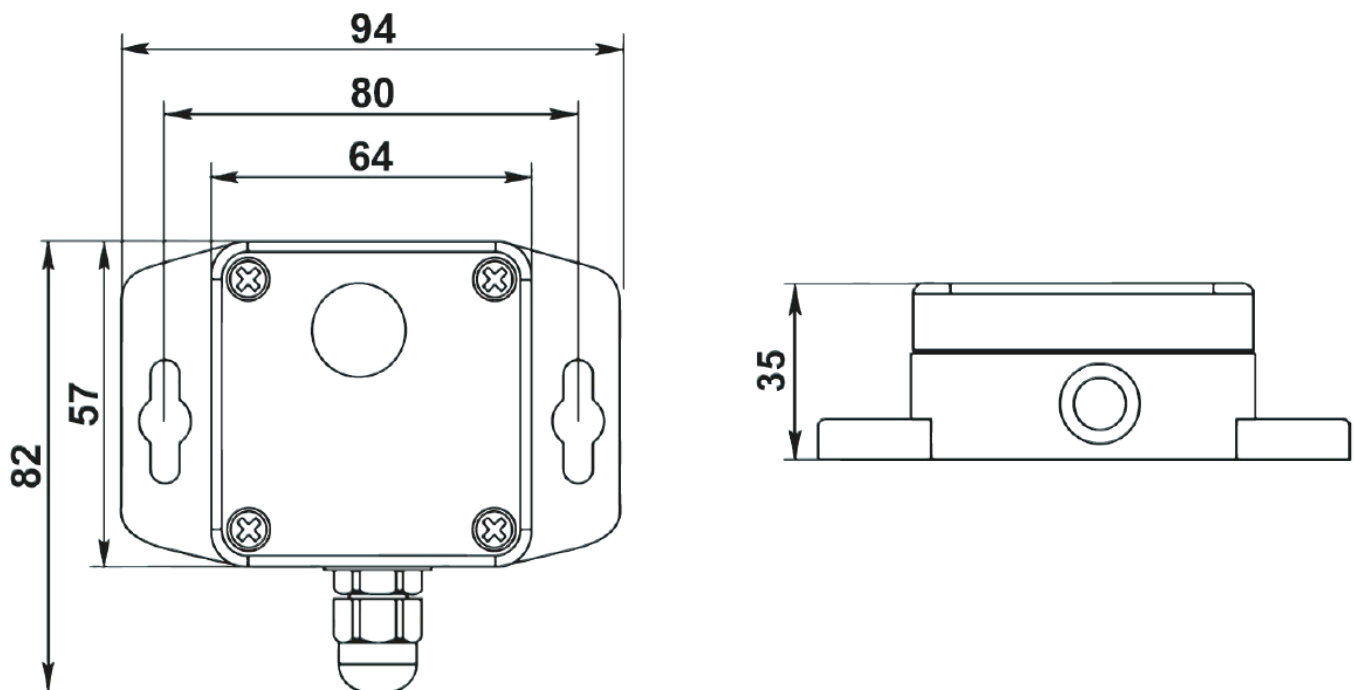
3-wire 4-20 mA output



3-wire 0-10 V output



Dimensions:



Datasheet Content:

Every effort has been taken in the production of this data sheet to ensure accuracy. Annicom do not accept responsibility for any damage, expense, injury, loss or consequential loss resulting from any errors or omissions. Annicom has a policy of continuous improvement and reserves the right to change this specification without notice.