

AX-GS-CD-T51-E

Carbon Dioxide and Temperature Sensor c/w LED



Mounting instructions

The Room sensor has mounting provisions to install directly on a standard electrical box and should be mounted at a height about five feet from the floor of the area to be controlled. For best operation, do not mount the sensor near doors, opening windows, supply air diffusers or other known air disturbances.

ABC Software and Lifetime Guarantee

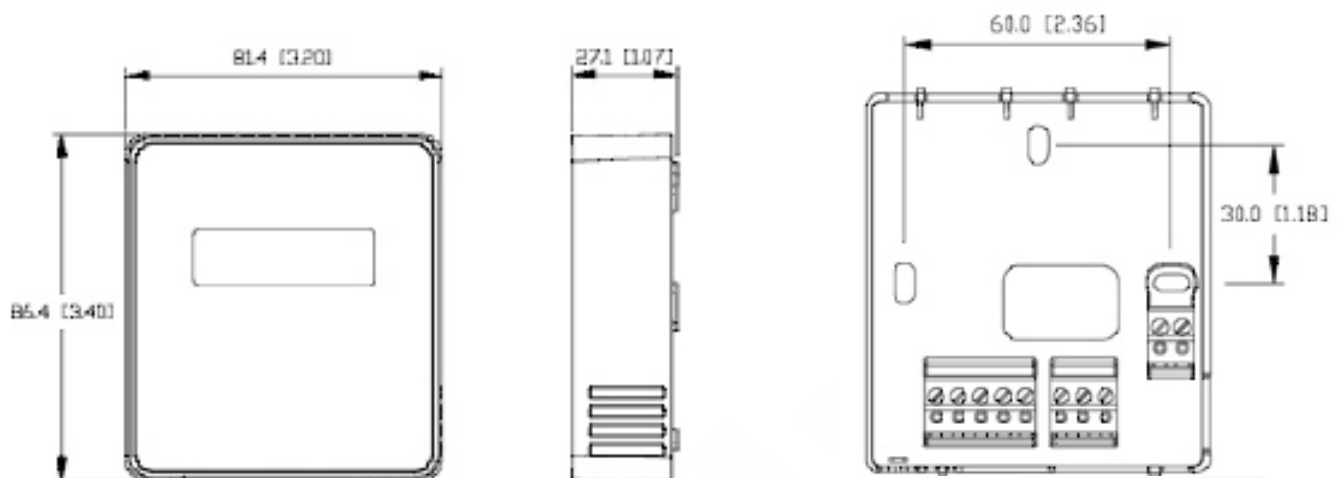
ABC Software

ABC (Automatic Background Calibration) program utilises the computing power in the sensors onboard microprocessor to remember the lowest CO₂ concentration that takes place every 24 hours. The sensor assumes this low point is at outside levels. The sensor is also smart enough to discount periodic elevated readings that might occur if for example a space was used 24 hours a day over a few days. Once the sensor has collected 14 days worth of low concentration points, it performs a statistical analysis to see if there has been any small changes in the sensor reading over background levels that could be attributable to sensor drift. If the analysis concludes there is drift, a small correction factor is made to the sensor calibration to adjust this change.

Lifetime Calibration Guarantee

Based on the results of years of testing of ABC software, we now offer a lifetime calibration guarantee on all the AX-GS-CD-T81 series. If the sensor is found to be out of calibration more than 150ppm as compared to a calibration Gas or recently calibrated reference. This guarantee only applies if the sensor is operated in an environment where inside levels periodically drop outside concentrations (i.e. during evenings or weekends when there is no occupancy) as is required by the ABC software. If a space does not experience a periodic drop to outside levels (i.e. where occupancy is 24 Hrs/7 days/week), ABC software should be deactivated. With ABC deactivated, calibration may be required every 2 years.

Dimensions



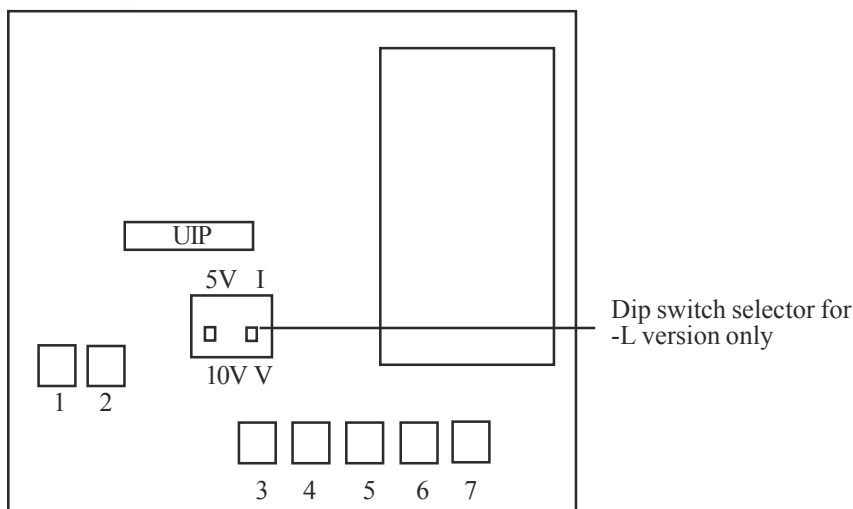
Operation

Terminals

1	Voltage In
2	Ground
3	Thermistor (if fitted)
4	Thermistor (if fitted)
5	Temperature Output (only on -L versions)
6	Common output
7	Carbon Dioxide Output

Pin assignments for 4 pin UIP interface connector

1	VCC 2.5V to 5V from PCB to interface cable
2	Serial data, PC to device
3	Serial data, Device to PC
4	Ground



LED Indicator (Model T51-EL only)

Blue - CO2 levels are less than 800ppm, indicates over ventilation

Green - CO2 levels are from 800 to 1000ppm indicating CO2 levels are within acceptable limits.

Yellow - CO2 levels are from 1000 to 1500ppm indicating CO2 levels high, indicates under-ventilated

Red - CO2 levels are from 1500 to 2000ppm indicating CO2 levels are very high, indicates ventilation required

2 x Red - CO2 levels are above 2000ppm indicating CO2 levels are very high, indicates severely under ventilated

Every effort has been taken in the production of this data sheet to ensure accuracy. Axio do not accept responsibility for any damage, expense, injury, loss or consequential loss resulting from any errors or omissions. Axio has a policy of continuous improvement and reserves the right to change this specification without notice.