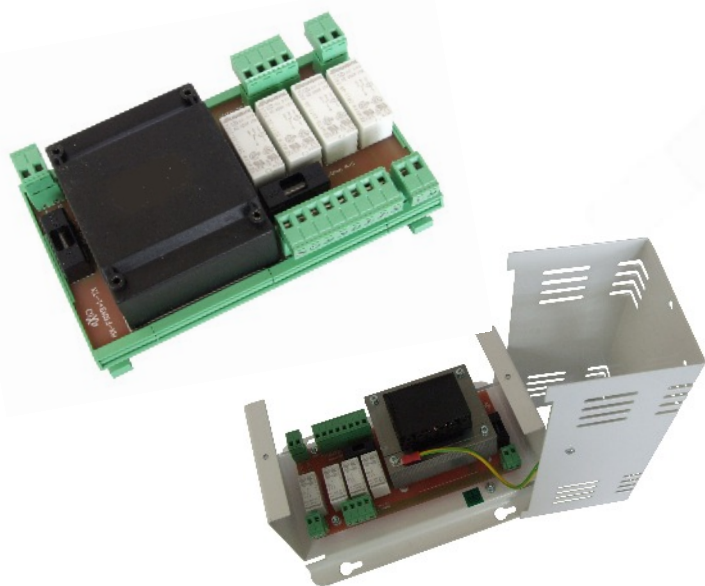


AX-FRM3-TX variants

3 Fan Speed Relay Modules with 230Vac/24Vac Transformer

AXIO



Product overview

The AX-FRM3-TX modules are a range of Fan Speed Relay Modules which provide high capacity, interlocked fan speed switching relays with an integrated 24Vac transformer. The relays can switch up to 12 Amps at 250Vac. Various types include switched live or volt free output contacts, 24V or 230V relay operating coils, additional valve relay, and DIN rail mount or steel enclosure options.

The units can be used to change the speeds on fan motors with multi-tapped windings and also transformer speed controlled motors. The 'break before make' design of the relay contact configuration and common switching point ensure that only one set of contacts is active at any one time, thus preventing short circuits.

Features

- Switch up to 250Vac at 12A with interlocked relays
- Interlocked relays allow only one output on at a time
- Enclosure option available
- 230Vac to 24Vac transformer - 25 or 30VA option

Order codes

	24V~ output	Relay coils	Enclosure	Fan relay contacts	
AX-FRM3-TX25	25VA	24V~	DIN rail mount	Switched live	
AX-FRM3-TX25E	25VA	24V~	Enclosed	Switched live	
AX-FRM3-TX30	30VA	24V~	DIN rail mount	Switched live	
AX-FRM3-TX30E	30VA	24V~	Enclosed	Switched live	
AX-FRM3+1-TX25	25VA	24V~	DIN rail mount	Switched live	1 independent relay
AX-FRM3+1-TX25E	25VA	24V~	Enclosed	Switched live	1 independent relay
AX-FRM3+1-TX30	30VA	24V~	DIN rail mount	Switched live	1 independent relay
AX-FRM3+1-TX30E	30VA	24V~	Enclosed	Switched live	1 independent relay
AX-FRM3-TX25-VF	25VA	24V~	DIN rail mount	Volt free	
AX-FRM3-TX25E-VF	25VA	24V~	Enclosed	Volt free	
AX-FRM3-TX30-VF	30VA	24V~	DIN rail mount	Volt free	
AX-FRM3-TX30E-VF	30VA	24V~	Enclosed	Volt free	
AX-FRM3-230-TX25-VF	25VA	230V~	DIN rail mount	Volt free	
AX-FRM3-230-TX25E-VF	25VA	230V~	Enclosed	Volt free	
AX-FRM3-230-TX30-VF	30VA	230V~	DIN rail mount	Volt free	
AX-FRM3-230-TX30E-VF	30VA	230V~	Enclosed	Volt free	

© Copyright Annicom. All Rights Reserved

Annicom Ltd

Unit 21, Highview, Bordon, Hampshire. GU35 0AX

Tel: +44 (0)1420 487788 Fax: +44 (0)1420 487799

Email: sales@annicom.com Website: www.annicom.com

Product specifications

*See below for model specific variations

AX-FRM3-TX25/30

Inputs:	Power	230V~ 50/60Hz ±15%
	Digital for relays *	3 off volt-free contacts with common 0V (switching 24V~ coils)
Outputs:	Supply -TX25	24V~ at 25VA max total on two pairs of terminals
	Supply -TX30	24V~ at 30VA max total on two pairs of terminals
	Fan Speed *	Common and three switched Live, interlocked relay outputs
Load Regulation:		25% typical
Contact Rating:	Fan relays	12A @ 250Vac resistive (max. 5A inductive)
Fusing:	230Vac Input *	20mm slow blow, 6A (includes fan supply)
	24Vac Output	20mm slow blow, 1.6A
Terminals:		Rising clamp for 0.5-2.5mm ² cable
Ambient Temperature:		-10 to +50°C 0-95% RH (non condensing)
Enclosure:		IP55 flame retardant ABS for DIN rail mounting
	-E only	Zintec
Dimensions & Weight: *	-TX25	125mm x 83mm x 62mm / 650 grams.
	-TX25E	164mm x 119mm x 77mm / 1440 grams.
	-TX30	125mm x 83mm x 62mm / 680 grams.
	-TX30E	164mm x 119mm x 77mm / 1455 grams.
Country of Origin:		United Kingdom

AX-FRM3+1-TX25/30

Inputs:	Additional relay	1 isolated pair 24V~ coil
Outputs:	Additional relay	NO volt free contact 12A @ 250Vac resistive (max. 5A inductive)
Dimensions & Weight:	-TX25	135mm x 83mm x 62mm / 660 grams.
	-TX25E	164mm x 119mm x 77mm / 1450 grams.
	-TX30	135mm x 83mm x 62mm / 690 grams.
	-TX30E	164mm x 119mm x 77mm / 1465 grams.

AX-FRM3-TX25/30-VF

Outputs:	Fan Speed	Common and three volt-free, interlocked relay outputs
Fusing:	230Vac Input	20mm slow blow, 1A

AX-FRM3-230-TX25/30 -VF

Inputs:	Digital for relays	3 off volt-free contacts with common Neutral (switching 230V~ coils)
Outputs:	Fan Speed	Common and three volt-free, interlocked relay outputs
Fusing:	230Vac Input	20mm slow blow, 1A

Installation

This range of modules should be installed by a suitably qualified technician in conjunction with any guidelines for the equipment it is to be connected to and any local regulations. Field wiring should be installed to satisfy the requirements set out by the manufacturer of the equipment that the module is being connected to.

DIN Rail Version

The module should be housed within a control panel. The module can be clipped to standard “top hat” profile DIN rail by locating the top lip of the carrier on the rail and snapping it into place.

Enclosure Version

The module is housed within a ventilated enclosure which can be mounted alongside a fan coil unit. The earth stud must be connected to a suitable earth supply, with a cable sized to the local regulations in force.

Connections

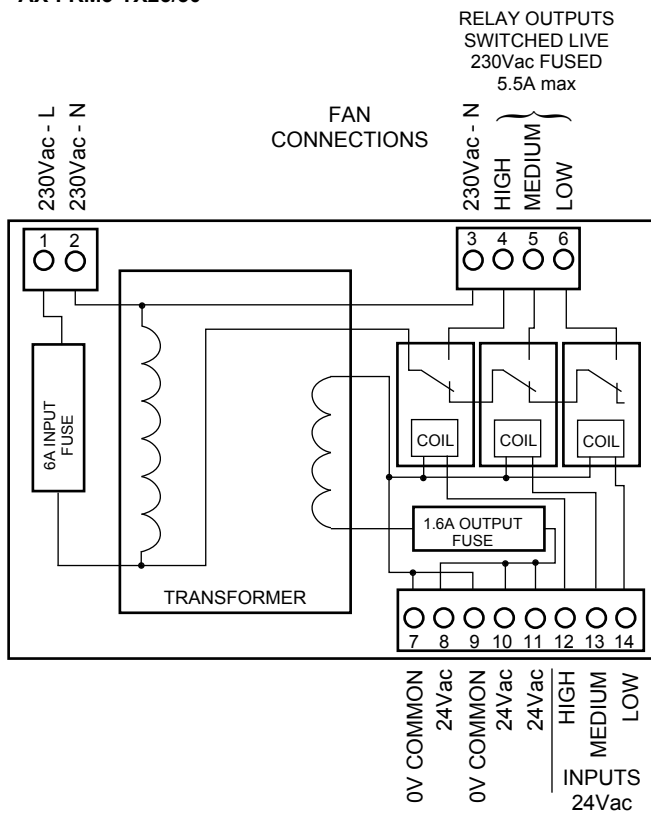
Please refer to the individual connection drawings for each module type.

If more than one fan speed is selected simultaneously, the highest fan speed will have precedence.

Datasheet contents

Every effort has been taken in the production of this data sheet to ensure accuracy. Axio do not accept responsibility for any damage, expense, injury, loss or consequential loss resulting from any errors or omissions. Axio has a policy of continuous improvement and reserves the right to change this specification without notice.

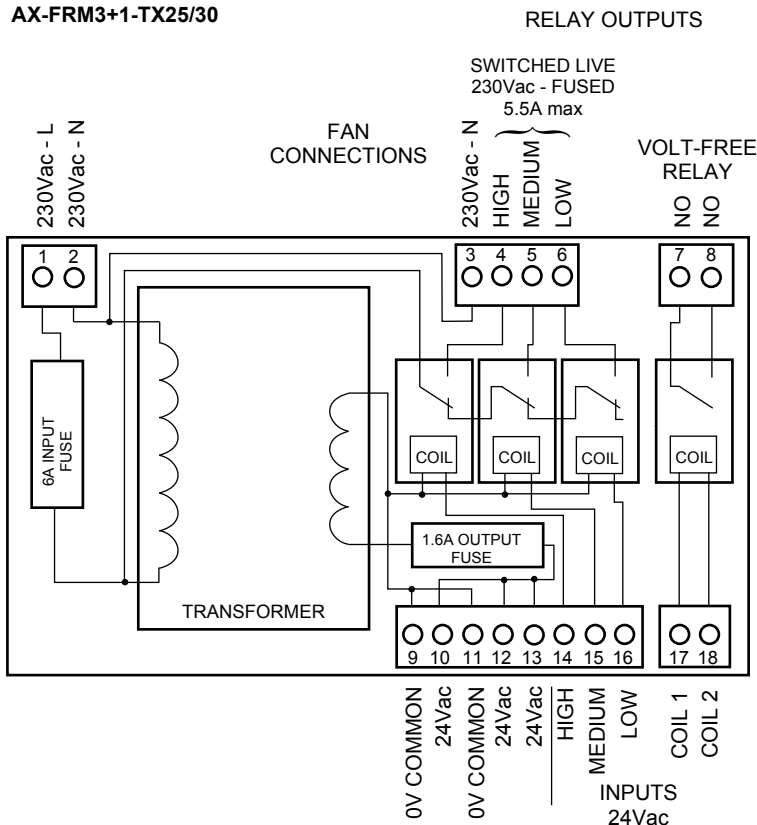
AX-FRM3-TX25/30



The Fan relay outputs have a common connection terminal to the Neutral supply. The switched output terminals are all switched from the fused Live supply.

The Fan relay coil connections all share the '0V Common'

AX-FRM3+1-TX25/30

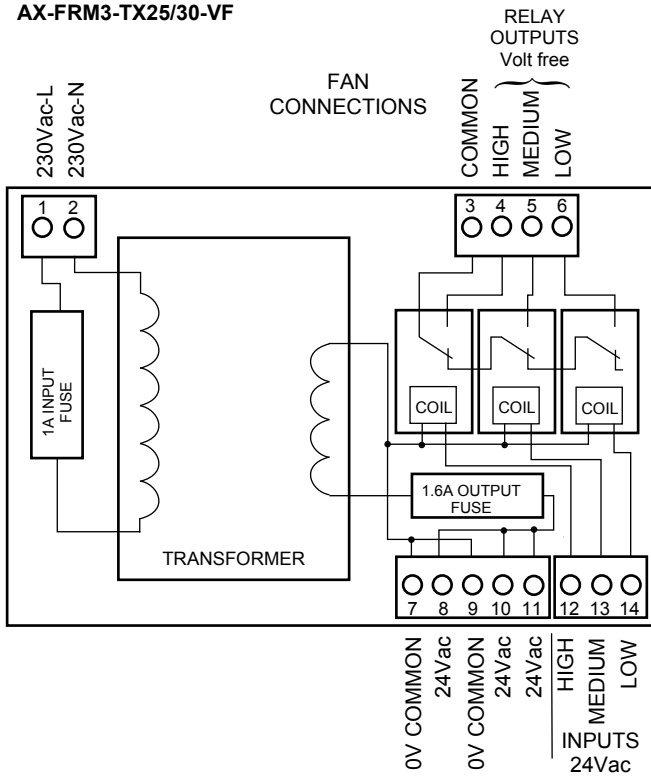


The Fan relay outputs have a common connection terminal to the Neutral supply. The switched output terminals are all switched from the fused Live supply.

The Fan relay coil connections all share the '0V Common' connection of the transformer.

The additional relay output is volt free. The coil shares no common connections.

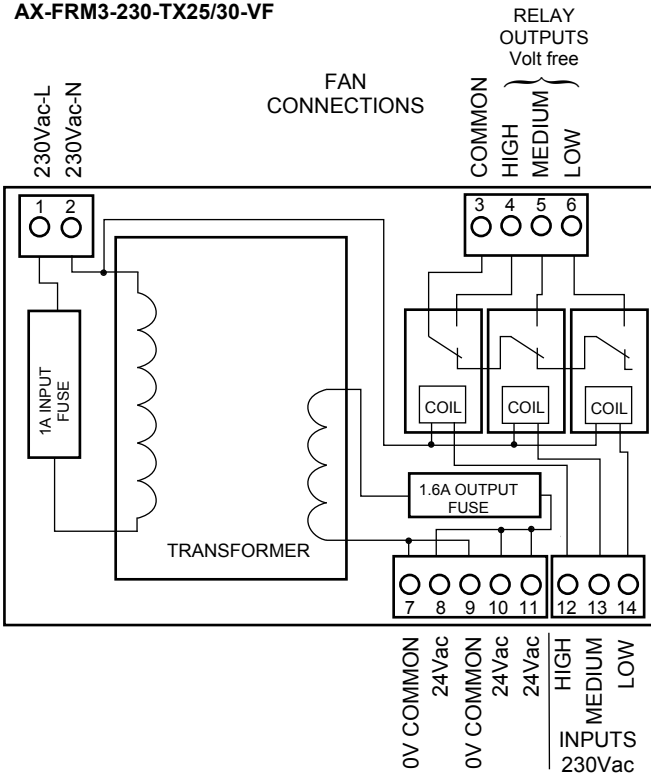
AX-FRM3-TX25/30-VF



The Fan relay outputs have a common connection terminal.

The Fan relay coil connections all share the '0V Common' connection of the transformer.

AX-FRM3-230-TX25/30-VF



The Fan relay outputs have a common connection terminal.

The 230V~ relay coils on this version share a common connection with the Neutral supply input.