

# AX-FC-STR-3-xxx

Three Phase 5 Speed Transformer Speed Controller



## Product Description

Designed for easy and trouble free installation, the AX-FC-STR-3 Series of surface mounted three phase 5 speed manual fan speed controllers feature an IP54 housing suitable for use in humid environments . The units incorporate a 6 step manual selector knob on the front 0 to 5 . The AX-FC-STR-3-xx Series have suitably rated integral fuses and comply with the relevant CE directives. . Only to be used with fans or pumps that are suitable for speed control. The motor should be internally protected against overheating.

## Features

- 5 Speed Manual Fan Speed Control
- Eight Variants 1.5 to 18A
- Suitable for 400Vac 50/60Hz Motors
- Integral Fuse
- 230Vac Unregulated output
- Surface Mount

## Product Specifications

<b>Inputs:</b>	400Vac 3 phase 50/60Hz							
<b>Control Type:</b>	5 Step Manual via a 6 position Knob							
<b>Ratings:</b>	STR-3-15	STR-3-25	STR-3-40	STR-3-60	STR-3-80	STR-3-110	STR-3-140	STR-3-180
<b>Current</b>	1.5A	2.5A	4.0A	6.0A	8.0A	11.0A	14.0A	18.0A
<b>Dimensions:</b>	See over page							
<b>Weight:</b>	See over page							
<b>Ambient Temp:</b>	0 to 35°C							
<b>Protection:</b>	IP54							
<b>CE Certificates:</b>	EMC 89/336/CEE and 92/31/CEE LVD 73/23/CEE							
<b>Country of Origin:</b>	EU							

## Order Codes

<b>AX-FC-STR-3-15</b>	Three Phase Surface Mounted 5 Speed Manual Fan Speed Controller 1.5Amp
<b>AX-FC-STR-3-25</b>	Three Phase Surface Mounted 5 Speed Manual Fan Speed Controller 2.5Amp
<b>AX-FC-STR-3-40</b>	Three Phase Surface Mounted 5 Speed Manual Fan Speed Controller 4.0Amp
<b>AX-FC-STR-3-60</b>	Three Phase Surface Mounted 5 Speed Manual Fan Speed Controller 6.0Amp
<b>AX-FC-STR-3-80</b>	Three Phase Surface Mounted 5 Speed Manual Fan Speed Controller 8.0Amp
<b>AX-FC-STR-3-110</b>	Three Phase Surface Mounted 5 Speed Manual Fan Speed Controller 11.0Amp
<b>AX-FC-STR-3-140</b>	Three Phase Surface Mounted 5 Speed Manual Fan Speed Controller 14.0Amp
<b>AX-FC-STR-3-180</b>	Three Phase Surface Mounted 5 Speed Manual Fan Speed Controller 18Amp

# AX-FC-STR-3-xxx

Three Phase 5 Speed Transformer Speed Controller



## Installation:

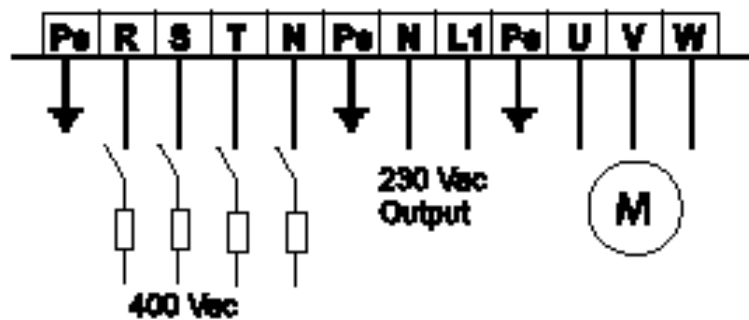
Installation must only be carried out by a fully trained electrician and must be in accordance with local regulations. Disconnect or otherwise completely turn OFF the electricity supply before installation. It is the installers responsibility to ensure that installation is carried out in a safe manner and that the final installation complies with all relevant standards.

### Surface Mounting

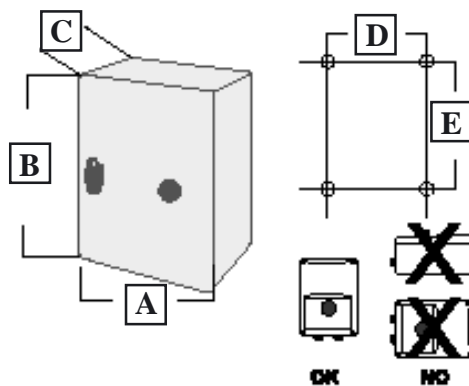
Disconnect the electricity supply

Remove the Controller from the supplied Surface Mount Case by gently pulling. Then pull off the adjustment knob and undo the securing nut. The front plate will then lift off. Mount the surface mounting case to the wall using suitable screws. Connect the relevant cables in accordance with the wiring diagram above and in accordance with local regulations. Mount the inner case into the surface mounting case using the screws

## Connection Diagram:



## Dimensional Diagram:



- AX-FC-STR-3-15
- AX-FC-STR-3-25
- AX-FC-STR-3-40
- AX-FC-STR-3-60
- AX-FC-STR-3-80
- AX-FC-STR-3-110
- AX-FC-STR-3-140
- AX-FC-STR-3-180

	A	B	C	D	E	net weight
AX-FC-STR-3-15	300	325	185	255	255	11,6 kg
AX-FC-STR-3-25	300	325	185	255	255	13,0 kg
AX-FC-STR-3-40	300	425	185	255	355	18,2 kg
AX-FC-STR-3-60	300	425	235	255	355	22,3 kg
AX-FC-STR-3-80	300	425	235	255	355	27,2 kg
AX-FC-STR-3-110	400	430	235	355	355	38,0 kg
AX-FC-STR-3-140	400	430	235	355	355	43,0 kg
AX-FC-STR-3-180	400	530	235	355	455	47,0 kg