



Product Description

Designed for easy and trouble free installation, the AX-FC-MTY Series of manual fan speed controllers feature a splash-proof housing suitable for use in humid environments such as kitchens. Several motors can be connected to one unit so long as the overall current limit is not exceeded. The AX-FC-MTY Series have suitably rated integral fuses and comply with the relevant CE directives. Also available with inverse control (i.e. from maximum speed to minimum speed) - AX-FC-MTX Series. Only to be used with fans that are suitable for speed control. The motor should be internally protected against overheating.

Features

- Manual Fan Speed Control
- 0.5A, 1A, 2A, and 4A Models
- Suitable for 230Vac 50/60Hz Motors
- Integral Fuse
- Potentiometer Control
- Wall and Flush Mount

Product Specifications

Inputs:	230Vac 1 phase 50/60Hz
Control Type:	Manual via a Potentiometer
On/Off switch:	Inbuilt with Potentiometer
Minimum Speed:	Adjustable via Trim Pot
Current Ratings:	See table on page 2
Fuse ratings:	See table on page 2
Ambient Temp:	0-40°C
Dimensions: Wall mount	82(w) x 82(h) x 65(d) mm
Flush mount	82(w) x 82(h) x 56(d) mm
Weight:	360gms max
Protection:	IP44 (4A versions IP54)
CE Certificates:	EMC 89/336/CEE and 92/31/CEE LVD 73/23/CEE
Country of Origin:	EU

Order Codes

AX-FC-MTY005	Manual Fan Speed Controller 0.5Amp
AX-FC-MTY010	Manual Fan Speed Controller 1.0Amp
AX-FC-MTY020	Manual Fan Speed Controller 2.0Amp
AX-FC-MTY025	Manual Fan Speed Controller 2.5Amp
AX-FC-MTY040	Manual Fan Speed Controller 4.0Amp (wall mount only)
NOTE:	If reverse action required change MTY to MTX

AX-FC-MTYxxx

Manual Speed Controller For Small Motors



Specification:

	FSC005MTY FSC005MTX	FSC010MTY FSC010MTX	FSC020MTY FSC020MTX	FSC040MTY FSC040MTX
Supply	230Vac 50/60Hz			
Current rating	0.05 - 0.5A	0.1 - 1.0A	0.2 - 2.0A	0.4 - 4.0A
Fuse (5x20mm)	FF630mA	FF1.25A	FF2.5A	FF5A
Control MTY Series	From minimum to maximum speed			
Control MTX Series	From maximum to minimum speed			

Installation:

All except AX-FC-MTx040 Series may be Inset or Surface Mounted, the AX-FC-MTx040 Series may only be surface mounted.

Installation must only be carried out by a fully trained electrician and must be in accordance with local regulations. Disconnect or otherwise completely turn OFF the electricity supply before installation. It is the installers responsibility to ensure that installation is carried out in a safe manner and that the final installation complies with all relevant standards.

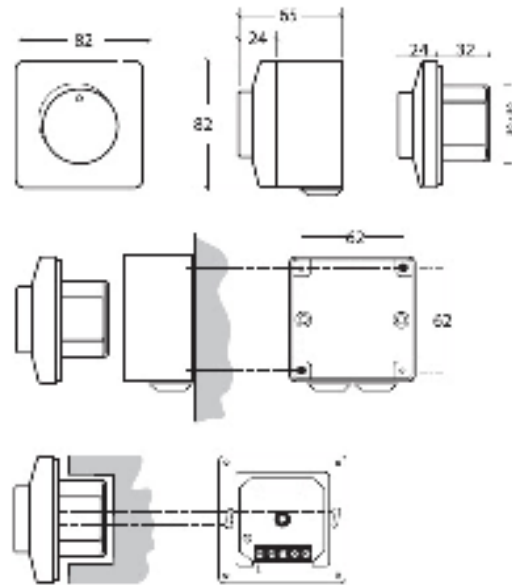
Inset Mounting

Disconnect the electricity supply
Remove the Controller from the supplied Surface Mount Case by gently pulling. Then pull off the adjustment knob and undo the securing nut. The front plate will then lift off. Connect the relevant cables in accordance with the wiring diagram above and in accordance with local regulations. Mount the inner case to the wall with the electrical connections pointing down, using the mounting holes provided. Replace the Front Plate with the included packing, secure with the nut, and gently press the knob on to the spindle with the detent on the knob pointing to the OFF position. When all is secure, re-connect the electricity supply.

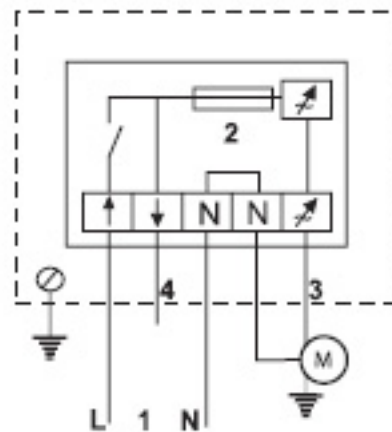
Surface Mounting

Disconnect the electricity supply
Remove the Controller from the supplied Surface Mount Case by gently pulling. Then pull off the adjustment knob and undo the securing nut. The front plate will then lift off. Mount the surface mounting case to the wall using suitable screws. Connect the relevant cables in accordance with the wiring diagram above and in accordance with local regulations. Mount the inner case into the surface mounting case using the screws

Dimensions:



Connection Diagram:



- 1 Line In 230vac 50/60Hz
- 2 Can be used as either switched Line Out (uncontrolled) OR as Line In, bypassing switch.
- 3 Neutral In
- 4 Neutral Out to Motor or Fan
- 5 Controlled Line Out to Motor or Fan

