

AX-ANA-LPP-xxx

Analytical Sensor -PH



Product Overview

The AX-ANA-LPP-xxx is an Analytical sensor for the measurement of Acidity (pH>7) and Alkalinity (pH<7) in liquids. The potential difference between the submerged and reference probes generates a voltage proportional to the concentration of the Hydrogen ions in the measured fluid. The long term stability and accuracy of the the measurement requires a periodic calibration of the sensors using the standard buffer solutions.

There is the option of a relay and / or an LCD Display module.

APPLICATIONS:

Water quality monitoring
Water production, Waste water treatment
Pharmaceutical industry
Food & Beverage industry

Features

- Measuring Range pH 0-14
- Easy to set-up
- Mounted on the top of a tank
- Variety of probes available

Technical Specification

Measuring Range	0-14 pH	Reserve +/- 2pH
Resolution	0.01pH	(internal resolution 0.004pH)
Linearity	+/- 0.004 pH	
Accuracy	0.1% of the measured value +/- 1 digit +/- 0.01% /Deg C	
Measuring Rate	300msec, on the display (refreshing rate) 1 sec	
Process Temperature	-50 to +100 degC (semi-conductive sensor)	
Power Supply	12 to 36Vdc 720mW galvanically isolated, protected against surge transients	
Probes	pH range / Max Pressure / Max Temp / Medium	
LPP-111-X	1-12 6 bar 80 C	with solid particles
LPP-121-X	1-12 8bar 80C	clear liquid
LPP-131-X	1-12 16bar@25C 100C	with solid particles
LPP-141-X	3-14 6bar 100C	clear liquid
LPP-151-X	1-12 0.5bar 60C	clear liquid
LPP-161-X	1-12 3bar 60C	clear liquid
LPP-171-X	1-12 6bar 80C	clear liquid
LPP-181-X	1-12 3bar 60C	clear liquid horizontally mountable
Output	LPP-1X1-4	HART & 4-20mA
	LPP-1X1-8	HART & 4-20mA EeX
	LPP-1X1-H	HART & 4-20mA & 1 x SPDT 1A@30Vdc
Display (option)	SAP300	Full featured programming LCD Display
Intrinsically Safe Class	ATEX II 1 G Exia B T6 Ga	
Cable Length	5m provided	
Weatherproof Rating	IP68	
Materials	Housing	Plastic
Process Connection	1 1/2" BSP Polypropylene as standard (PVDF option at additional cost) NPT option	
Electromagnetic Compatability	EN61326 Class B	
Country of Origin	EU	

Order Codes (specify probes and output)

AX-ANA-LPP-1x1-4	Analytical pH Sensor with HART & 4-20mA o/p	1 1/2" BSP
AX-ANA-LPP-1x1-6	Analytical pH Sensor with HART & 4-20mA o/p EeX	1 1/2" BSP
AX-ANA-LPP-1x1-H	Analytical pH Sensor with HART & 4-20mA & Relay o/p	1 1/2" BSP
-LCD	SAP 300 LCD Display & Programming Module	
AX-ANA-PH-CAL	Cleaning & Calibration Solutions	

AX-ANA-LPP - Issue 1.0 - Date 20/12/2013

Page 1 of 2

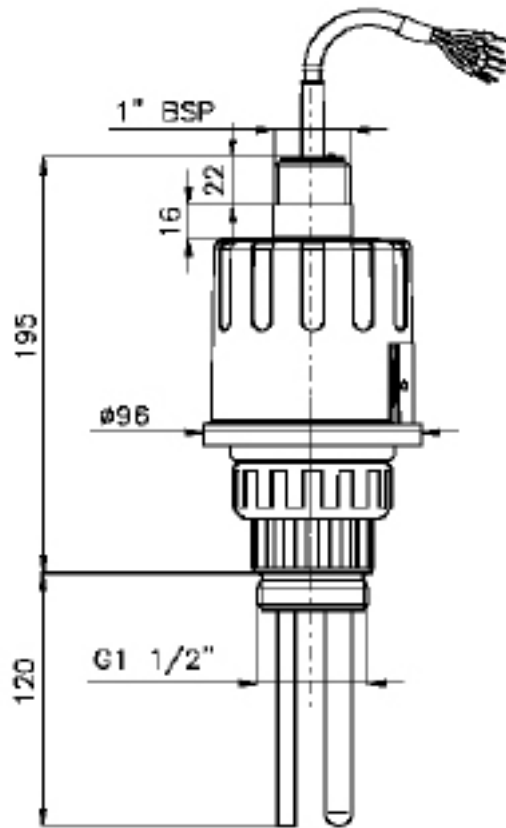
Unit 21, Highview, High Street, Bordon, Hampshire. GU35 0AX.

Tel: +44 (0)1420 487788 Fax: +44 (0)1420 487799

Email: sales@axio.co.uk

www.axio.co.uk

Dimensions



Electrodes



Cleaning & Calibration Solutions



Cleaning solution

Calibration solution